

**Pronto® M71™ jr.
with SureStep™
CWD
Powered Wheelchair**



Parts Catalog Usage Guide

The information contained in this document is subject to change without notice. This catalog contains service parts for Form No. 03-033. If you have any questions regarding this catalog, please contact one of our Customer Service Representatives.

For Customer Service Support Call:

1-800-333-6900

For Faxed In Orders Call:

1-800-678-4682 or

1-440-366-0709

For Technical Service Call:

1-800-832-4707

Literature Can Be Found at:

www.invacare.com or

1-800-828-6272

SYMBOL DEFINITION

Throughout this catalog you will notice letters to draw your attention to specific footnotes which are located at the bottom of the page or below specified charts.

Examples:

A,B,C etc. = Special Comments

NOTE: = General information pertaining to that specific page

NLA = No Longer Available

HARDWARE MEASUREMENTS

The measurements for the hardware will be listed as follows:

Screws, Bolts Diameter X Thread Count/Pitch X Length

Washers Inside Diameter X Outside Diameter X Thickness

Spacers Inside Diameter X Outside Diameter X Length

For your convenience, we have supplied an area for you to list your Invacare Representatives.

Name	Phone Numbers

©2008 Invacare Corporation. Elyria, Ohio. Invacare, Yes, you can., the Medallion Design, and Pronto are registered trademarks and MK6i, MK5, NX, EX, SPJ, DPJ, MPJ, SureStep, and M71 are trademarks of Invacare Corporation.

TABLE of CONTENTS

Description	Page Number
A: READ THIS FIRST (THIS CATALOG IS DIFFERENT!)	5
Accessories - Miscellaneous	126
Accessories - Power Wheelchair Tool Kit	128
Arms, Adjustable Height	46
Back Cane Mounting Hardware - After 10/26/04 (All Depths)	40
Back Canes and Spreader Bar - Before 10/27/04	30
Back Canes and Spreader Bar Mounting Hardware - Before 10/27/04 (12-13" Seat Depths) .	34
Back Canes and Spreader Bar Mounting Hardware - Before 10/27/04 (14-15" Seat Depths) .	36
Back Canes and Spreader Bar Mounting Hardware - Before 10/27/04 (16" Seat Depth)	38
Back Canes, Spreader Bar, and Push Handle - After 10/26/04	31
Back Upholstery - Black Nylon	42
Battery Tray and Battery Harness Assemblies	54
Casters, Forks, and Hardware	50
Electronics - Joystick Options	121
Electronics - MK5 Controller Cables	105
Electronics - MK5 Display	116
Electronics - MK5 DPJ Joystick and Mounting Hardware	99
Electronics - MK5 EX Controller, Programmer and Battery Charger	103
Electronics - MK5 MPJ Joystick and Mounting Hardware	101
Electronics - MK6i -PLEASE READ THIS PAGE-	98
Electronics - Proportional Attendant Control Joystick PACM5	119

TABLE of CONTENTS

Description	Page Number
Electronics - Quad Link (QLA) After 10/30/05	110
Electronics - Quad Link Assembly Before 10/31/05	107
Electronics - R.I.M. Head Control Assembly (1500)	112
Electronics - R.I.M. Head Control Mounting Hardware (1500)	114
Electronics - Sip-N-Puff/Digital Interface 1554M4/1554M5 and AUX12 and AUX34	117
Electronics - Tash and Therafin Accessories	123
Frame Finish, Shroud Colors, and Upholstery Color	6
Frame, Side and Hardware - Non Tilt Chairs	11
Frame, Side and Tilt Hardware - Tilt Chairs	13
Front Rigging - Center Mount Rigging (CTMT)	82
Front Rigging - Center Mount Rigging (CTMT/CTMT-L)	95
Front Rigging - Center Mount Rigging (CTMTJ)	79
Front Rigging - Center Mount Rigging CTMTJ	84
Front Rigging - Center Mount Rigging Kit (CTMTJ and CTMT) - After 10/26/04	93
Front Rigging - Center Mount Rigging Kit (CTMTJ and CTMT) - Before 10/27/04	91
Front Rigging - Center Mount Rigging Mtg. Hdwr. (CTMTJ & CTMT) - After 10/26/04	89
Front Rigging - Center Mount Rigging Mtg. Hdwr. (CTMTJ & CTMT) - Before 10/27/04	87
Front Rigging - Footboard Assembly - 90FB	56
Front Rigging - Footrest and Legrest Accessories	74
Front Rigging - Footrest Supports, (Hemi) - PH93M2	64
Front Rigging - Footrest Supports, (Hemi) - PHW93	62

TABLE of CONTENTS

Description	Page Number
Front Rigging - Front Rigging Hangers and Hardware	60
Front Rigging - Legrest Supports, Articulating (Hemi) - PHAL4A	66
Front Rigging - Pivot/Slide Tube and Adjustable Angle Footplates - AT5543	71
Front Rigging - Pivot/Slide Tube and Footplate - 1650 Standard Aluminum	69
Front Rigging - Reference Chart	58
Headrest and Attaching Hardware	44
Label Locations For TRRO and TRBKTS Options	9
Motor, Gearbox, and Drive Wheel	51
Packaging, Literature and Decals	7
Seat Frame Mounting Hardware - After 10/26/04	19
Seat Frame Mounting Hardware - Before 10/27/04	17
Seat Frame, Seat Pan and Hardware, A.S.B.A. - Before 10/27/04	23
Seat Frame, Seat Pan and Hardware, ASBA w/ TRBKTS - Introduced 12/19/05	28
Seat Frame, Seat Pan and Hardware, ASBA w/ TRRO - Introduced 10/27/04	26
Seat Release Hardware	21
Shrouds and Mounting Hardware	48
SureStep Walking Beams and Hardware	15
TRRO and TRBKTS Option Clarification Reference	10
Wheel Lock Assembly	124

A: READ THIS FIRST (THIS CATALOG IS DIFFERENT!)

Pronto® M7Ijr.™ with SureStep™
parts catalog information is now divided into two separate catalogs.

The Form Numbers and Cover Titles are listed below.

Form # 03-033

Pronto M7Ijr. with SureStep
Powered Wheelchair

Form # 06-110

MK6i Electronics

(MK6i was introduced on or about 10/16/06)

Use both form numbers to order a “complete” Parts Catalog

Frame Finish, Shroud Colors, and Upholstery Color

Frame Finish

Color Number	Part Number	Bottle Size	Color
34P	1046327	.6 oz.	Flat Black

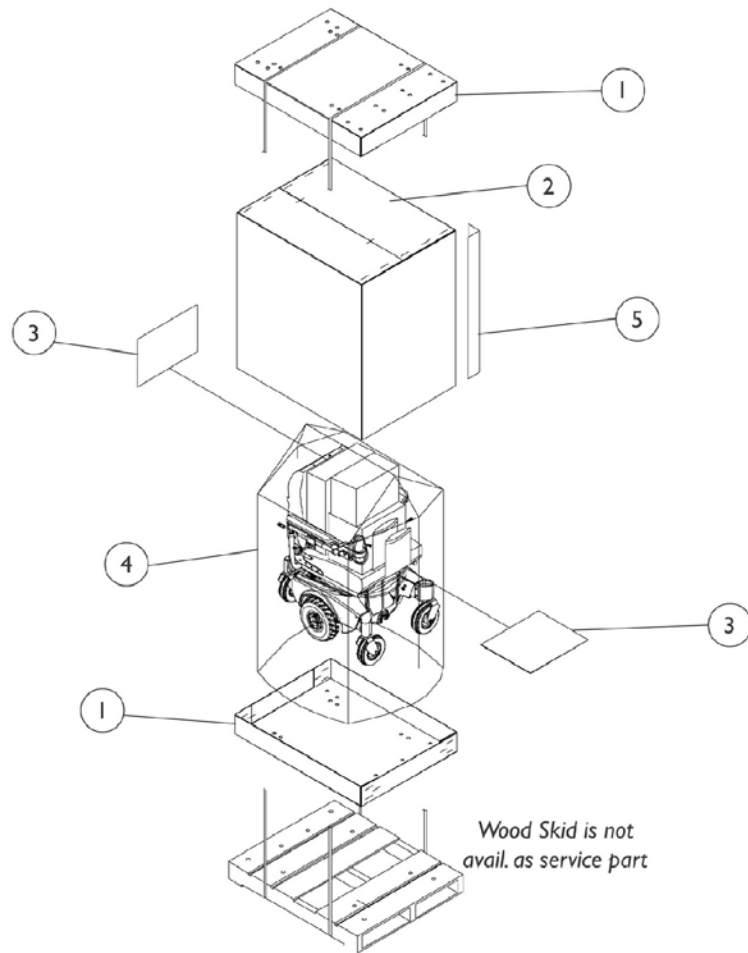
Shroud Colors

Color Code	Shroud Color Description
BL	Deep Blue Pearl
MB	Magic Black
RD	Candy Red Pearl

Upholstery Color

Color Number	Color Description
U240	Black Nylon

Packaging, Literature and Decals



Packaging, Literature and Decals

Item Number	Note	Part Number	Description	Quantity Per	
				Package	Assembly
1		1030362	Carton, Tray	1	2
2		1030364	Carton, Cover	1	1
3		40131X161	Insert, Plain Pad	1	2
4		1015592	Bag, Poly (72" L x 35" W x 19" D)	1	1
5		1115174	Carton, Corner Reinforcement	1	4
	A	1122147	Manual, Owner's Pronto M71 Jr.	1	1
	A	1114808	Manual, Instruction MK5 EX/ TT-EX Electronics	1	1
	A	1121907	Decal, Shroud (Pronto M71 Jr.)	1	2

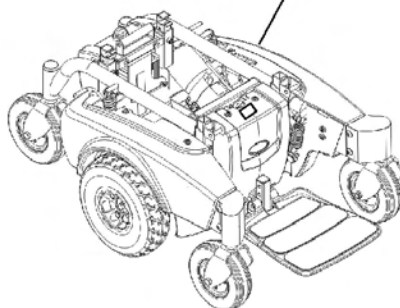
NOTE: A - Not Shown

NOTE: When adjusting or replacing parts, please refer to your owner's manual for assistance.

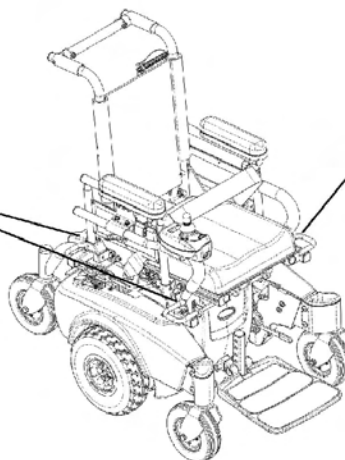
Label Locations For TRRO and TRBKTS Options



WC/19 Warning Label is a non-serviceable part.
Call Technical Services for assistance at
(1-800-832-4707).



Hook Symbol Labels are
non-serviceable parts.
Call Technical Services for
assistance at (1-800-832-4707).



TRRO and TRBKTS Option Clarification Reference

About Transport Ready Packages

TRRO includes four factory-installed transport brackets and a wheelchair anchored pelvic belt. **TRRO** has been crash-tested in accordance with ANSI/RESNA WC Vol. 1 Section 19 Frontal Impact Test requirements for wheelchairs with a 168 lb. Crash dummy, which corresponds to a person with weight of 114 to 209 lbs.

TRBKTS includes four factory-installed wheelchair transport brackets. **TRBKTS** has not been crash-tested in accordance with WC 19. Use these transport brackets only to secure an unoccupied wheelchair during transport.

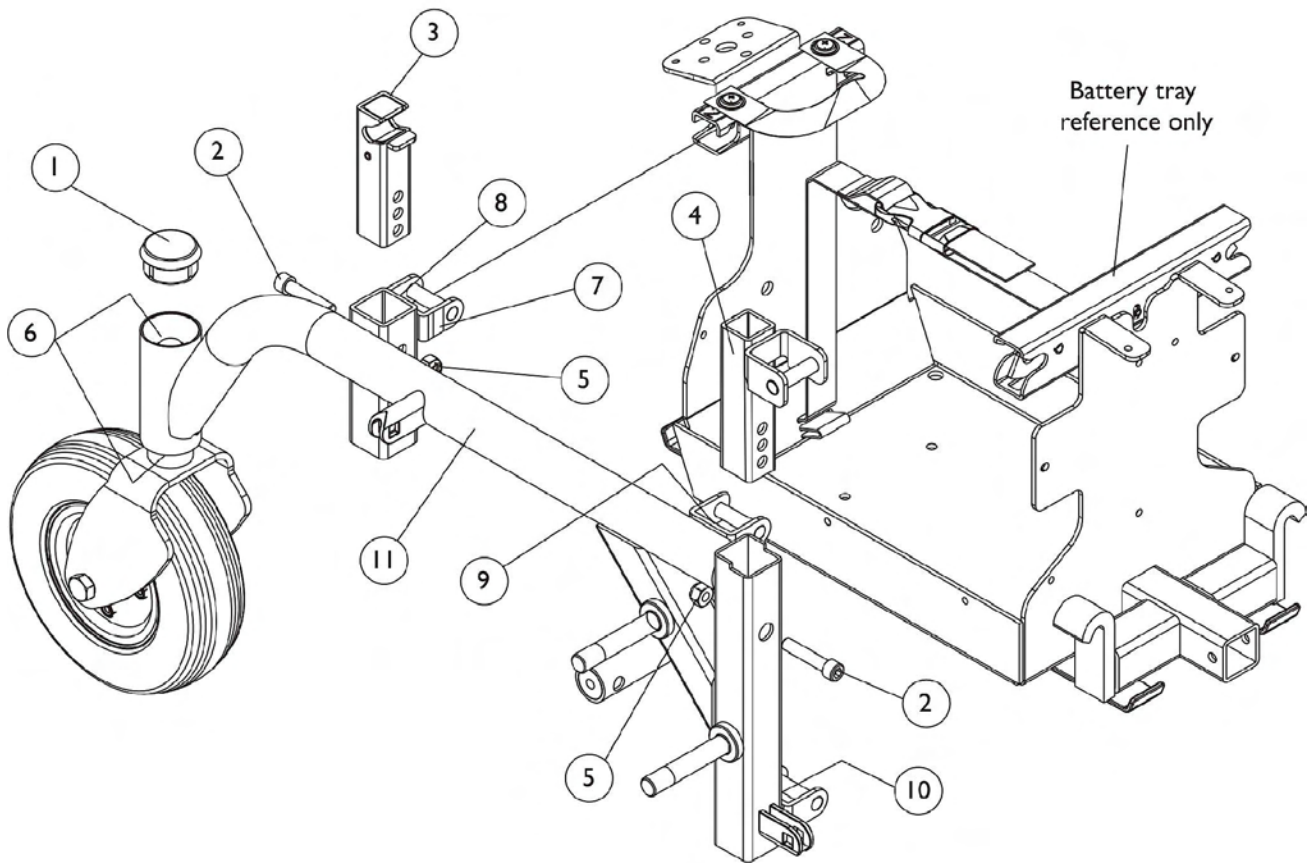
Only use the transport brackets included with **TRRO** and **TRBKTS** for the purpose described in the appropriate Owner's Operator and Maintenance Manual.

Battery support brackets **MUST** be installed at all times. Otherwise, the wheelchair will not be WC/19 compliant. Refer to Removing/Installing the Batteries From/Into the Wheelchair in the appropriate Owner's Operator and Maintenance Manual.

As of this date, the Department of Transportation has not approved any tie-down systems for transportation of a user while in a wheelchair, in a moving vehicle of any type. It is Invacare's position that users of wheelchairs should be transferred into appropriate seating in vehicles for transportation and use be made of the restraints made available by the auto industry. Invacare cannot and does not recommend any wheelchair transportation systems.

NOTE: ANSI = American National Standards Institute, RESNA = Rehabilitation Engineering and Assistive Technology Society of North America.

Side Frame and Hardware Non Tilt Chairs



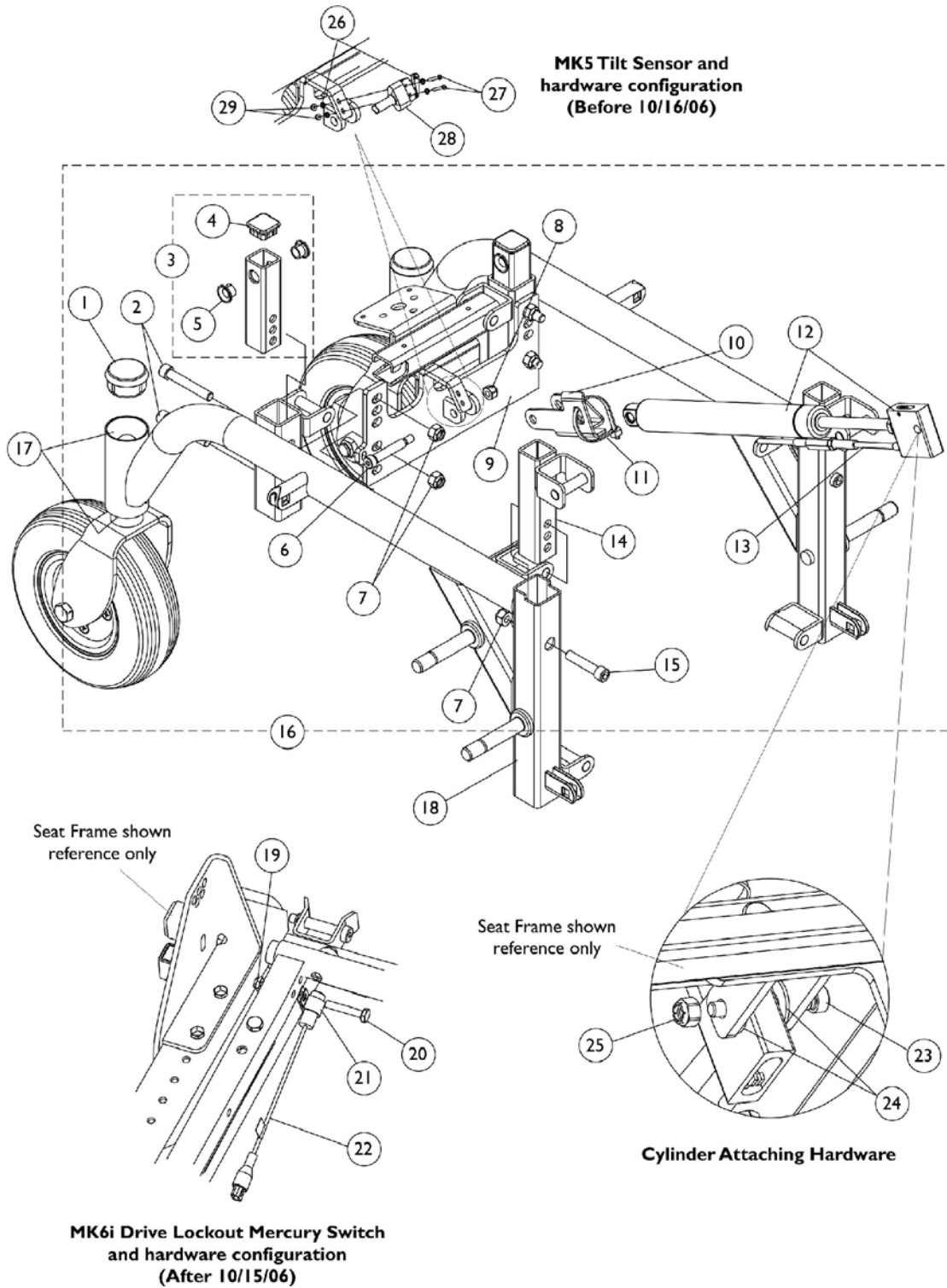
Side Frame and Hardware Non Tilt Chairs

Item Number	Note	Part Number	Description	Quantity Per	
				Package	Assembly
1		1105026	Cap, Headtube	1	1
2		1021344	Screw, Socket Head Cap (5/16-18 x 1-1/2")	1	2
3		1123397-NLA	Slide Tube, Seat Height Adjustment -Rear	1	2
3	D	1152528	Slide Tube, Seat Height Adjustment - Rear	1	2
4		1123524	Slide Tube, Seat Height Adjustment -Front	1	1
5		1026158	Locknut (5/16-18)	1	2
6		40117X006	Bearing (5/8")	1	2
7		1109198	Label Yellow Stripe	1	2
8		1109200	Label Marker (2)	1	1
9		1109199	Label Marker (1)	1	1
10		1109201	Label Marker (3)	1	1
11	A	1109320	Side Frame Assembly - Right	1	1
11	A	1109321	Side Frame Assembly - Left	1	1
	B,C	1123398	Kit, Side Frame Hardware	1	1

NOTE: A - Includes items 6-10
 B - Includes items 1-5
 C - Not Shown
 D - When replacing a "Slide Tube, Seat Height Adjustment - Rear" part # 1123397 with the part # 1152528 both sides must be replaced simultaneously.

Side Frame and Tilt Hardware Tilt Chairs

Tilt Sensor Cable and Splitter Cable can be found in the MK5 Controller Cables category.



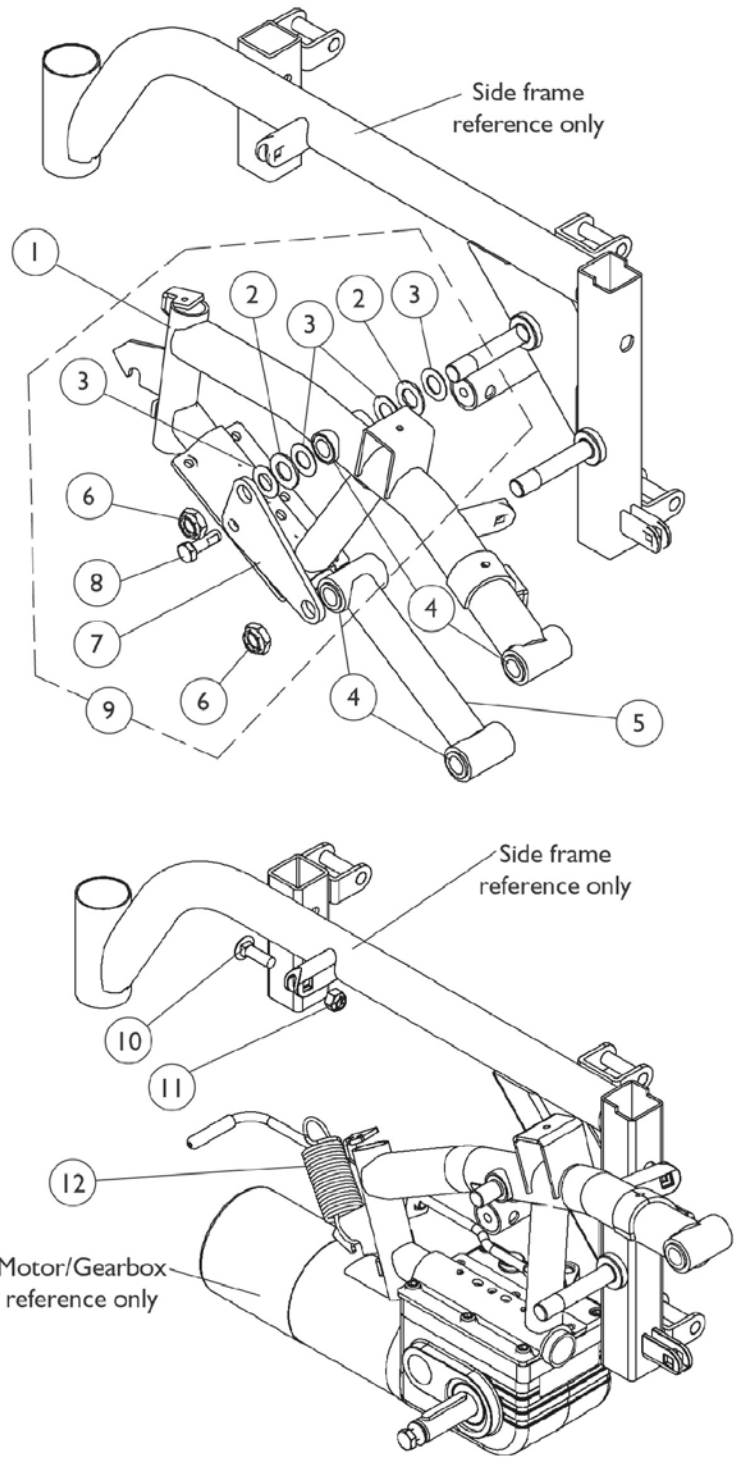
Side Frame and Tilt Hardware Tilt Chairs

Tilt Sensor Cable and Splitter Cable can be found in the MK5 Controller Cables category.

Item Number	Note	Part Number	Description	Quantity Per	
				Package	Assembly
1		1105026	Cap, Headtube	1	2
2		1126151	Screw, Socket Head Cap (5/16-18 x 2")	1	4
3	A	1126107	Slide Tube, Seat Height Adjustment -Rear	1	2
4		1105038	Cap, Tube (1" Square)	1	2
5		1082705	Bearing, Flanged	1	4
6		1104846	Screw, Socket Head Shoulder (5/16 x 1-1/2")	1	1
7		1026158	Locknut (5/16-18)	1	6
8		1025736	Locknut (1/4-20)	1	1
9		1126112	Bracket, Cylinder	1	1
10		1126113	Bracket, Sensor Actuator	1	1
11		1095502	Package, Cable Ties (11-1/2" Long)	10	1
12	B	1126105	Cylinder, Locking with Cable & Release Handle	1	1
13		1126103	Release Handle w/ Cable Assembly	1	1
14		1123524	Slide Tube, Seat Height Adjustment -Front	1	2
15		1021344	Screw, Socket Head Cap (5/16-18 x 1-1/2")	1	2
16	C	1126121	Kit, Frame/Tilt Hardware	1	1
17		40117X006	Bearing (5/8")	1	2
18	D	1109320	Side Frame Assembly - Right	1	1
18	D	1109321	Side Frame Assembly - Left	1	1
19		1025195	Locknut (1/4-20)	1	1
20		1074642	Screw, Hex Head (1/4-20 x 1-3/8")	1	1
21		0062800	Bracket, Cable/Wire Mount	1	1
22	E	1140099	Switch, Drive Lockout Mercury (MK6i)	1	1
23		1104846	Screw, Socket Head Shoulder (5/16 x 1-1/2")	1	1
24		1012371	Washer, Nylon (3/8 x 7/8 x 1/16")	1	2
25		1025736	Locknut (1/4-20)	1	1
26		1120253	Washer, Lock Internal Tooth (#2)	1	4
27		1126570	Screw, Phillips Pan Head (#2-56 x 5/8")	1	2
28		1126122	Cable, Tilt Sensor	1	1
29		57007X002	Locknut (#2-56)	1	2

NOTE: A - Includes items 4 and 5
 B - Includes item 13
 C - Includes items 1-15
 D - Includes Bearings (item 17)
 E - Please refer to the MK6i Electronics catalog for further information regarding electronic components.

SureStep Walking Beams and Hardware



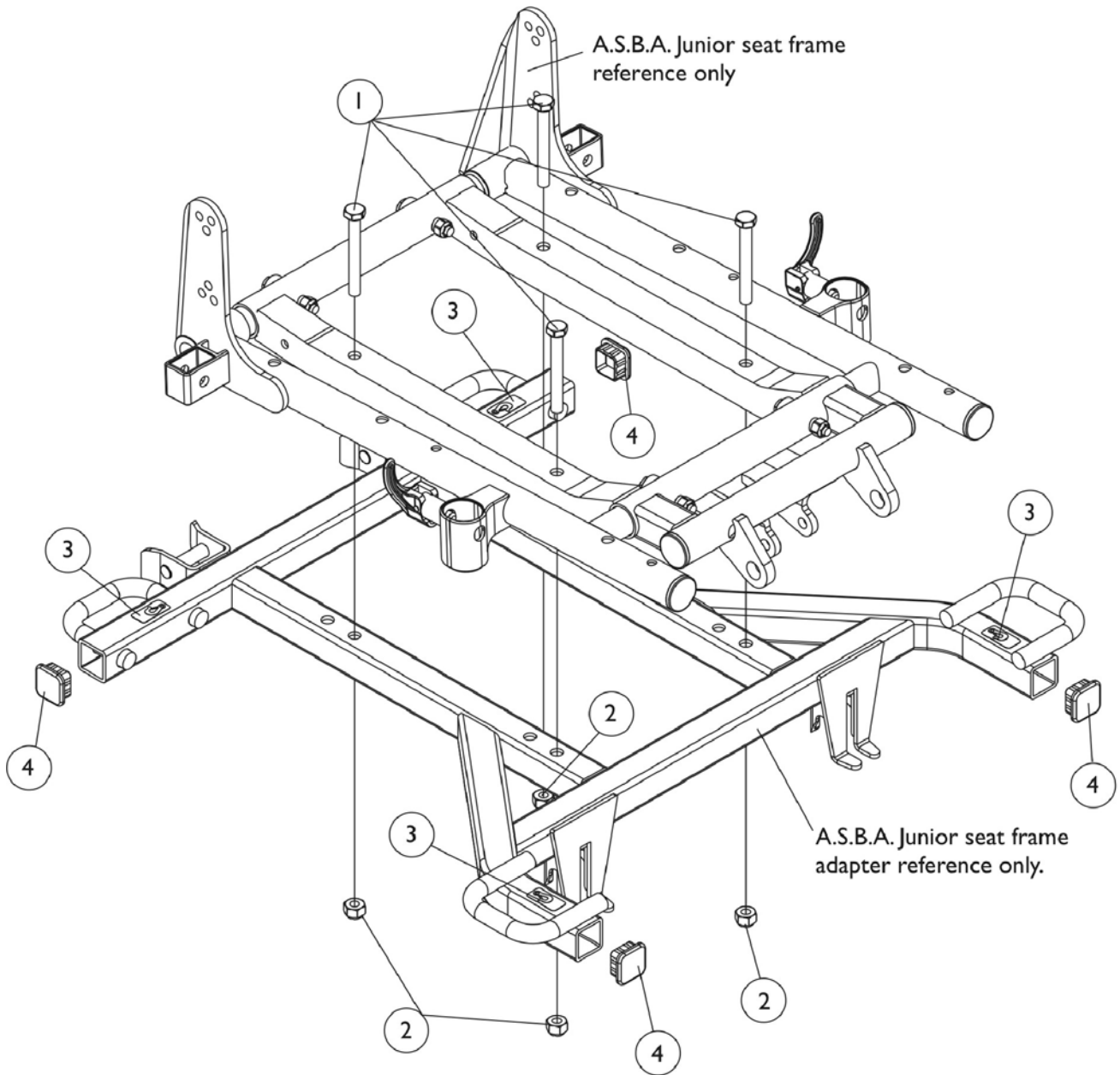
SureStep Walking Beams and Hardware

Item Number	Note	Part Number	Description	Quantity Per	
				Package	Assembly
1	A	1109025	Walking Beam, SureStep -Right	1	1
1	A	1109026	Walking Beam, SureStep -Left	1	1
2		40157X015	Washer (9/16 x 1 x 5/8")	1	2
3		1106492	Washer (1/2 x 29/32 x 1/32")	1	4
4		1106485	Bushing (1/2 x 5/8")	1	8
5	A	1109018	Tube, Pivot	1	1
6		1025737	Locknut (1/2-20)	1	2
7		1106078	Plate Reinforcement	1	1
8		1050161	Screw, Hex Head Cap with Patch (5/16-18 x 1")	1	1
9	B	1108066	Kit, SureStep Walking Beam Hardware	1	1
10		1105030	Bolt, Round Head Square Neck (5/16-18 x 1")	1	1
11		1026158	Locknut (5/16-18)	1	1
12		1129464	Spring, Extension	1	1
NOTE: A - Includes 4 each Bushings, item 4 B - Includes items 2, 3, 6-8					

A.S.B.A. Seat Frame Mounting Hardware

Before 10/27/04

NOTE: A.S.B.A. Junior seat frame adapter is offered as an ON-Chair item only. When a replacement is required, call Invacare's Technical Service Department at 1-800-832-4707 for assistance.



A.S.B.A. Seat Frame Mounting Hardware Before 10/27/04

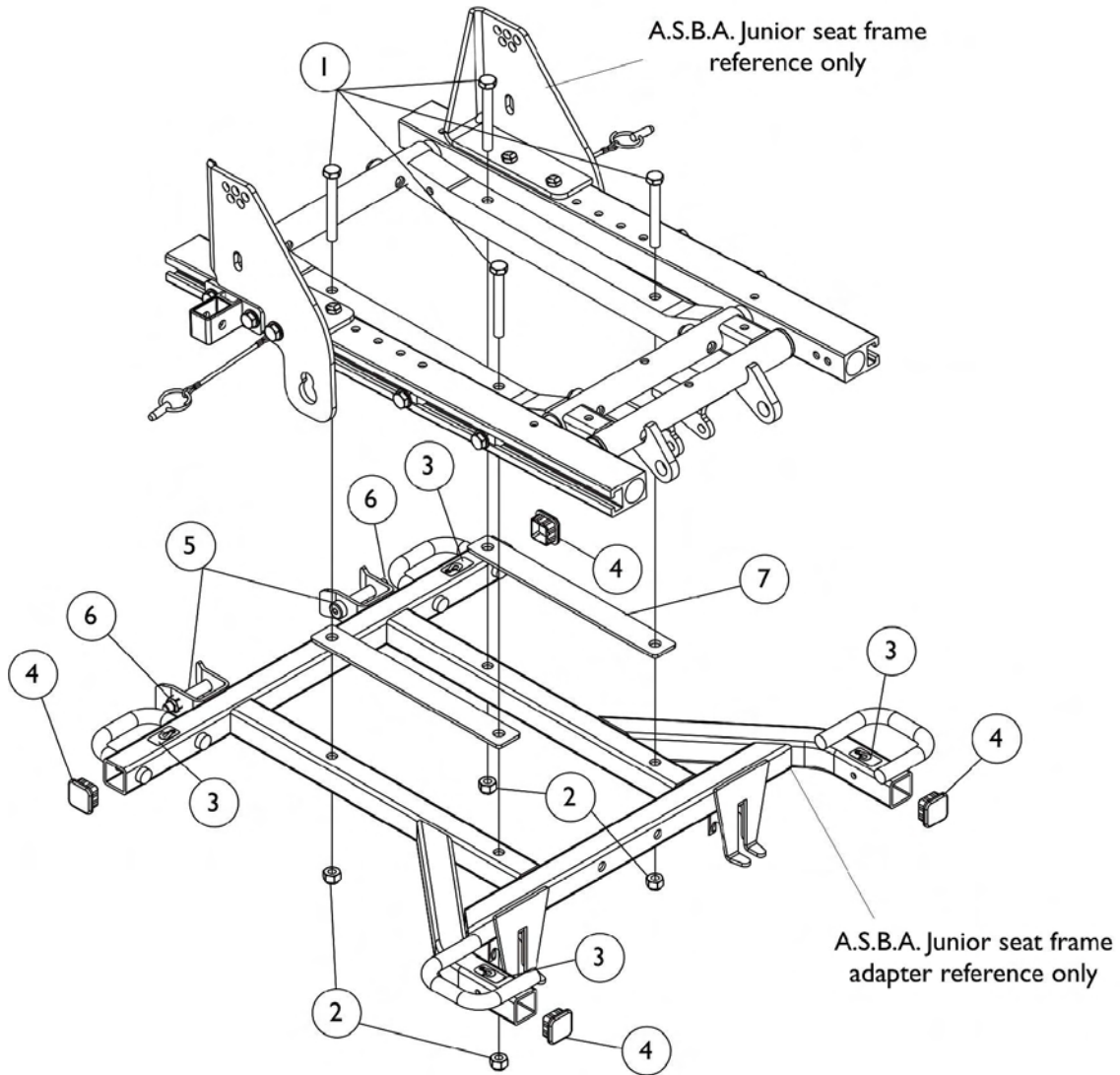
NOTE: A.S.B.A. Junior seat frame adapter is offered as an ON-Chair item only. When a replacement is required, call Invacare's Technical Service Department at 1-800-832-4707 for assistance.

Item Number	Note	Part Number	Description	Quantity Per	
				Package	Assembly
1		90162X000	Screw, Hex Head (5/16-18 x 2-1/2")	1	4
2		1026158	Locknut (5/16-18)	1	4
3		1083199	Label, Hook Tie-Down	1	4
4		1105038	Cap, Tube (1" Square)	1	4

A.S.B.A. Seat Frame Mounting Hardware

After 10/26/04

NOTE: A.S.B.A. Junior seat frame adapter is offered as an ON-Chair item only. When a replacement is required, call Invacare's Technical Service Department at 1-800-832-4707 for assistance.



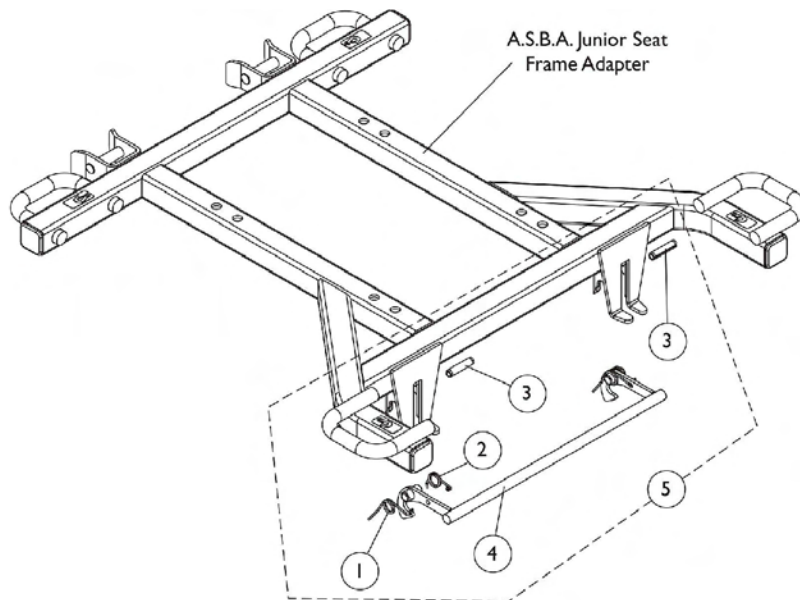
A.S.B.A. Seat Frame Mounting Hardware

After 10/26/04

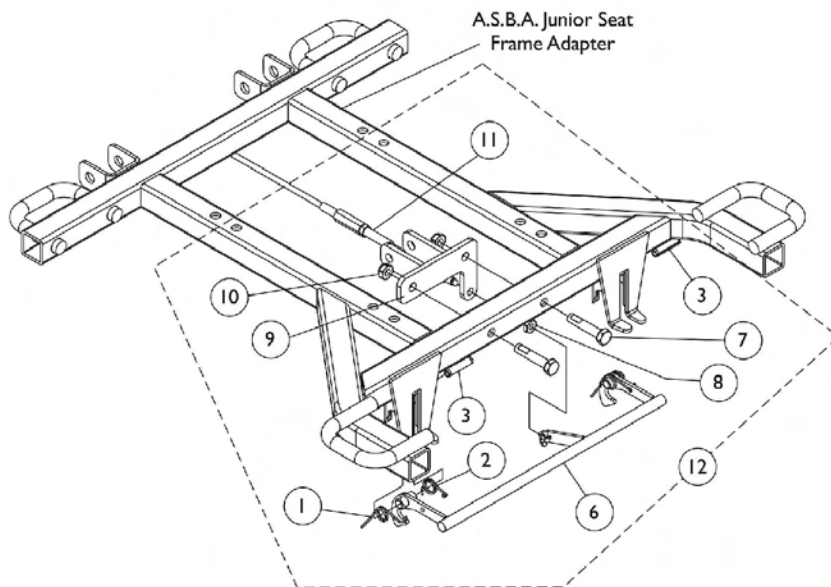
NOTE: A.S.B.A. Junior seat frame adapter is offered as an ON-Chair item only. When a replacement is required, call Invacare's Technical Service Department at 1-800-832-4707 for assistance.

Item Number	Note	Part Number	Description	Quantity Per	
				Package	Assembly
1		90162X000	Screw, Hex Head (5/16-18 x 2-1/2")	1	4
2		1026158	Locknut (5/16-18)	1	4
3		1083199	Label, Hook Tie-Down	1	4
4		1105038	Cap, Tube (1" Square)	1	4
5		1031665	Screw, Socket Head Shoulder (3/8 x 1-1/2")	1	2
6		1028769	Locknut (5/16-18)	1	2
7		1128262	Spacer, Seat Frame Adapter	1	2

Seat Release Hardware



Non-Tilt chairs

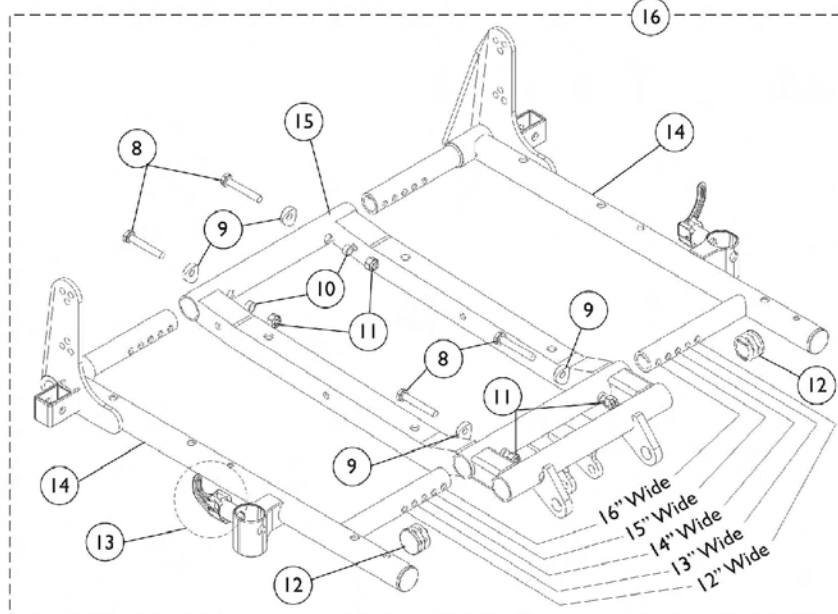
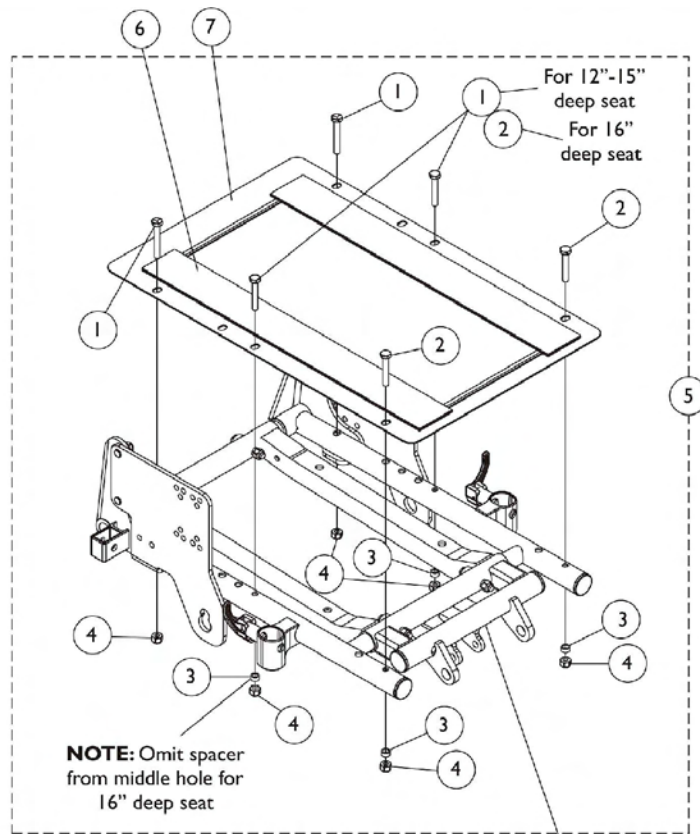


Tilt chairs

Seat Release Hardware

Item Number	Note	Part Number	Description	Quantity Per	
				Package	Assembly
1		1109219	Spring, Torsion, Right	1	1
2		1109220	Spring, Torsion, Left	1	1
3		1108239	Pin, Slotted (1/4 x 1-1/8")	1	2
4	A	1106476	Latch, Seat	1	1
5	B,A	1108068	Kit, Seat Release Hardware	1	1
6	C	1126119	Latch, Seat	1	1
7		1116983	Screw, Hex Head (5/16-18 x 1-1/2")	1	2
8		1071276	Nut, Hex (1/4-20)	1	1
9		1126116	Bracket, Cylinder Cable	1	1
10		1028769	Locknut (5/16-18)	1	2
11		1126103	Release Handle w/ Cable Assembly	1	1
12	C,D	1126120	Seat Release Assembly	1	1
NOTE: A - Non-Tilt chairs B - Includes items 1-4 C - Tilt chairs D - Includes items 1-3, 6-11					

A.S.B.A. Seat Frame, Seat Pan and Hardware Before 10/27/04



A.S.B.A. Seat Frame, Seat Pan and Hardware Before 10/27/04

Item Number	Note	Part Number	Description	Quantity Per	
				Package	Assembly
1	A	1024793	Screw, Hex Head (1/4-20 x 1-3/4")	1	2
2	B	1030949	Screw, Hex Head (1/4-20 x 1-1/2")	1	4
3	B	1047449	Spacer (1/4 x 3/8 x 3/16")	1	4
4		1025736	Locknut (1/4-20)	1	6
5	C	1123393	Kit, Seat Pan Mounting Hardware (12-15" Deep Seats)	1	1
5	C	1123394	Kit, Seat Pan Mounting Hardware (16" Deep Seat)	1	1
6		1039949	Fastener, Hook Adhesive Back (2" x 16")	1	2
6		1044578	Fastener, Loop Adhesive Back (2" x 16")	1	2
7		See Chart	#7 Seat Pans	1	1
8		1037610	Screw, Hex Head (1/4-20 x 1-5/8")	1	4
9		1026099	Spacer, Coved (1/4 x 11/16 x 1/2")	1	4
10		1047449	Spacer (1/4 x 3/8 x 3/16")	1	4
11		1025736	Locknut (1/4-20)	1	4
12		1029501	Plug Button, Black (1")	1	2
13		1090768	Kit, Lock Handle w/Rivets (both LT & RT side)	2	1
14		See Chart	#14, 15, & 16 A.S.B.A. Junior Seat Frame Assembly	1	1
15		See Chart	#14, 15, & 16 A.S.B.A. Junior Seat Frame Assembly	1	1
16		See Chart	#14, 15, & 16 A.S.B.A. Junior Seat Frame Assembly	1	1

NOTE: A - 16" deep seats use a quantity of 4 each
 B - 16" deep seats use a quantity of 2 each
 C - Includes items 1-4

A.S.B.A. Seat Frame, Seat Pan and Hardware Before 10/27/04

#7 Seat Pans

Chair Width	12"-15" Deep	16" Deep
12" Wide	1066009	1070513
13" Wide	1066010	1070514
14" Wide	1066022	1066011
15" Wide	1066023	1066012
16" Wide	1066024	1066013

NOTE: 12"-15" seat depths are achieved by using different back cane mounting hardware.

#14, 15, and 16 Seat Frame Assembly

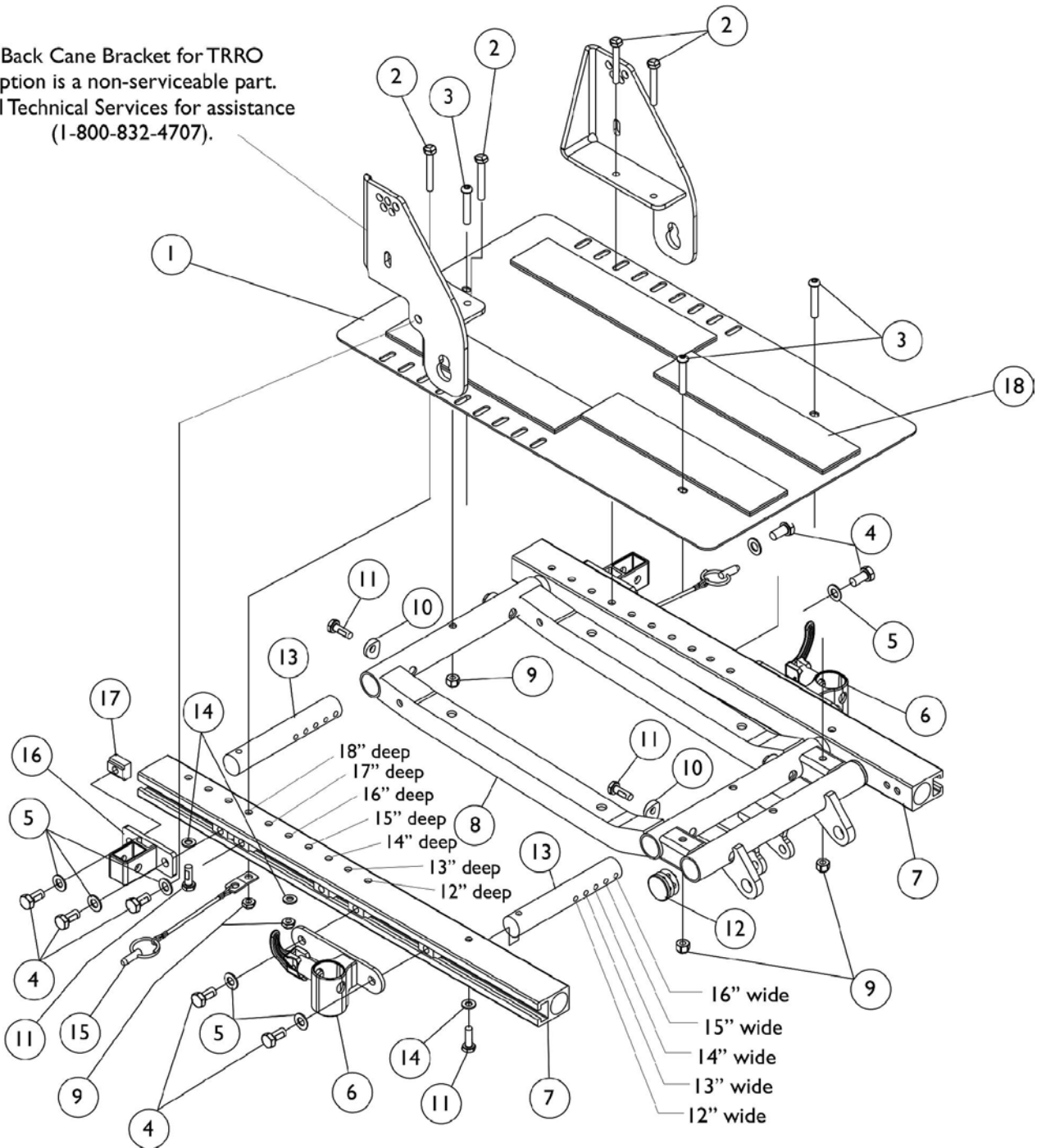
Item Number	Seat Frame	12"-16" W 12"-16" D
14	Seat Frame Right <i>See Note(s) A</i>	1070473
14	Seat Frame Left <i>See Note(s) A</i>	1070474
15	Seat Frame Center	1121982
16	Seat Frame Assembly <i>See Note(s) B</i>	1121991

NOTE: A - Seat frame includes item 13 arm lock assembly.
B - Includes items 8-15

ASBA Seat Frame, Seat Pan and Hardware

TRRO Option - Introduced 10/27/04

Back Cane Bracket for TRRO option is a non-serviceable part. Call Technical Services for assistance (1-800-832-4707).



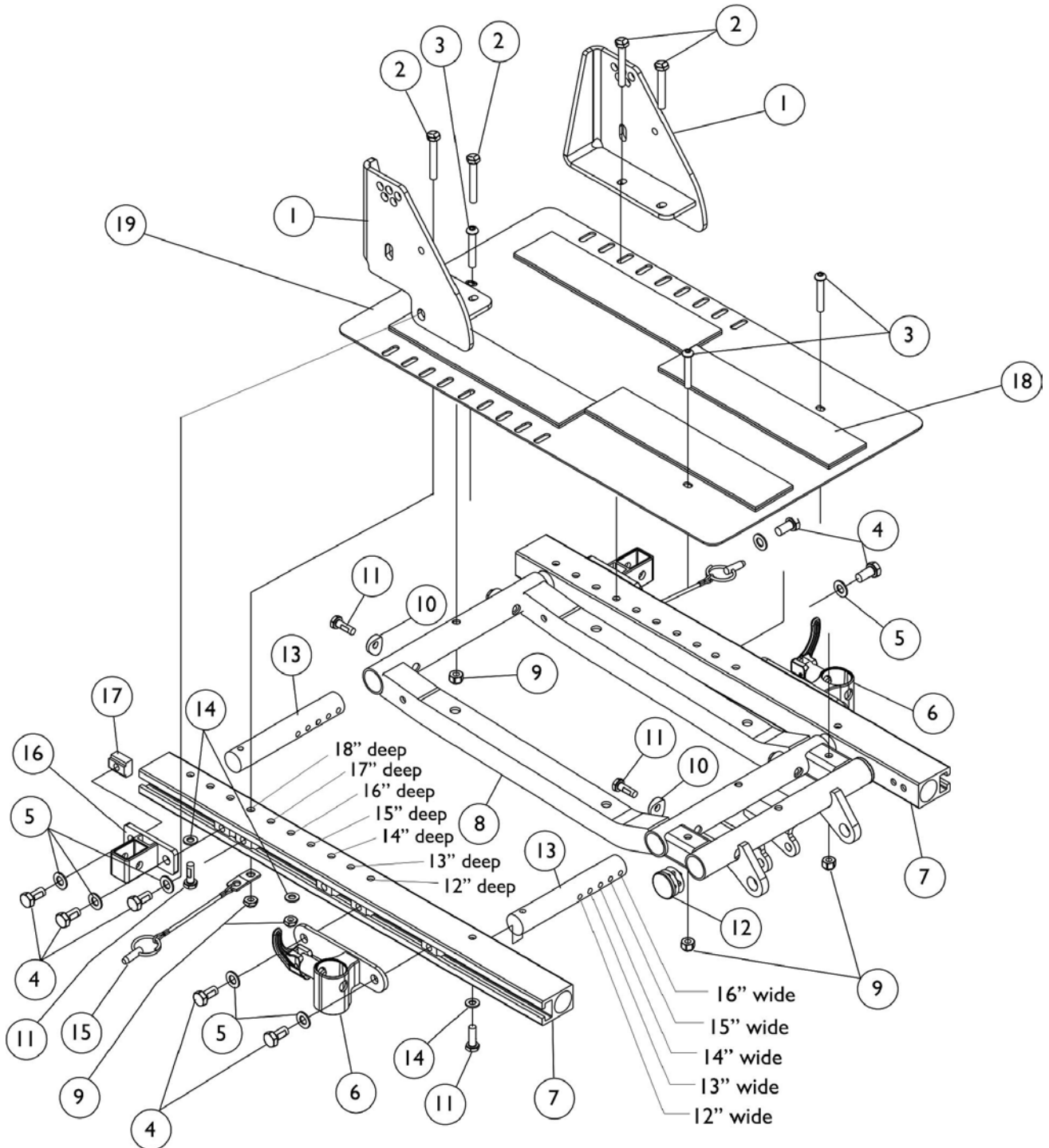
ASBA Seat Frame, Seat Pan and Hardware TRRO Option - Introduced 10/27/04

Item Number	Note	Part Number	Description	Quantity Per	
				Package	Assembly
1	A	1126144	Seat Pan w/ Hook and Loop Fasteners (12-16" W x 12-18" D)	1	1
2		1024793	Screw, Hex Head (1/4-20 x 1-3/4")	1	4
3		1008495	Screw, Socket Button Head (1/4-20 x 1-1/2")	1	3
4		1122652	Screw, Hex Head (5/16-18 x 5/8")	1	10
5		1025704	Washer, Flat (5/16 x 5/8 x 1/16")	1	10
6		1122619	Socket, Front Arm - Right	1	1
6		1122620	Socket, Front Arm - Left	1	1
7		1126127	Rail, Side (12-18" Deep)	1	2
8		1121982	Frame, Center Seat	1	1
9		1025736	Locknut (1/4-20)	1	7
10		1026099	Spacer, Coved (1/4 x 11/16 x 1/2")	1	4
11		1045267	Screw, Hex Head (1/4-20 x 3/4")	1	8
12		1029501	Plug Button, Black (1")	1	2
13		1126126	Crossbar, Seat Frame (12-16" Wide)	1	4
14		1026907	Washer (1/4 x 1/2 x 1/16")	1	6
15		1068039	Pin, Pull	1	2
16		1126142	Socket, Rear Arm	1	2
17		1069724	T-Nut (5/16-18)	1	10
18		1039949	Fastener, Hook Adhesive Back (2" x 16")	1	4
18		1044578	Fastener, Loop Adhesive Back (2" x 16")	1	4

NOTE: A - Includes item 18

ASBA Seat Frame, Seat Pan and Hardware

TRBKTS Option - Introduced 12/19/05

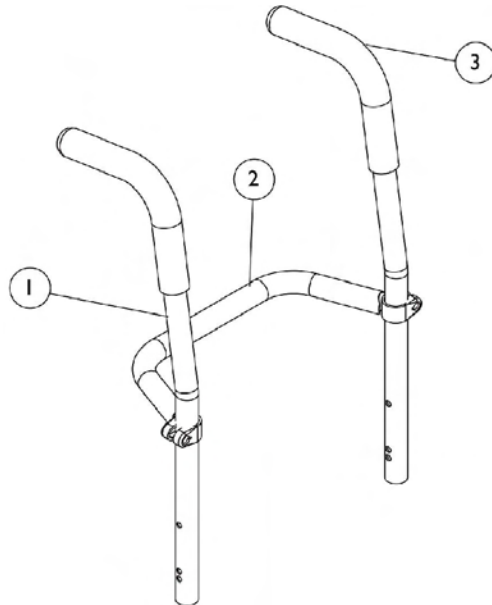


ASBA Seat Frame, Seat Pan and Hardware TRBKTS Option - Introduced 12/19/05

Item Number	Note	Part Number	Description	Quantity Per	
				Package	Assembly
1		1133597	Bracket, Back Cane - Right	1	1
1		1133598	Bracket, Back Cane - Left	1	1
2		1024793	Screw, Hex Head (1/4-20 x 1-3/4")	1	4
3		1008495	Screw, Socket Button Head (1/4-20 x 1-1/2")	1	3
4		1122652	Screw, Hex Head (5/16-18 x 5/8")	1	10
5		1025704	Washer, Flat (5/16 x 5/8 x 1/16")	1	10
6		1122619	Socket, Front Arm - Right	1	1
6		1122620	Socket, Front Arm - Left	1	1
7		1126127	Rail, Side (12-18" Deep)	1	2
8		1121982	Frame, Center Seat	1	1
9		1025736	Locknut (1/4-20)	1	7
10		1026099	Spacer, Coved (1/4 x 11/16 x 1/2")	1	4
11		1045267	Screw, Hex Head (1/4-20 x 3/4")	1	8
12		1029501	Plug Button, Black (1")	1	2
13		1126126	Crossbar, Seat Frame (12-16" Wide)	1	4
14		1026907	Washer (1/4 x 1/2 x 1/16")	1	6
15		1068039	Pin, Pull	1	2
16		1126142	Socket, Rear Arm	1	2
17		1069724	T-Nut (5/16-18)	1	10
18		1039949	Fastener, Hook Adhesive Back (2" x 16")	1	4
18		1044578	Fastener, Loop Adhesive Back (2" x 16")	1	4
19	A	1126144	Seat Pan w/ Hook and Loop Fasteners (12-16" W x 12-18" D)	1	1

NOTE: A - Includes item 18

Back Canes and Spreader Bar Before 10/27/04



Item Number	Note	Part Number	Description	Quantity Per	
				Package	Assembly
1		See Chart	#1 Back Cane w/ Grip	1	1
2		1043871	Bar, Spreader, Black (14" Wide)	1	1
2		1043872	Bar, Spreader, Black (15" Wide)	1	1
2		1043873	Bar, Spreader, Black (16" Wide)	1	1
3		1032246	Grip, Cane	1	2

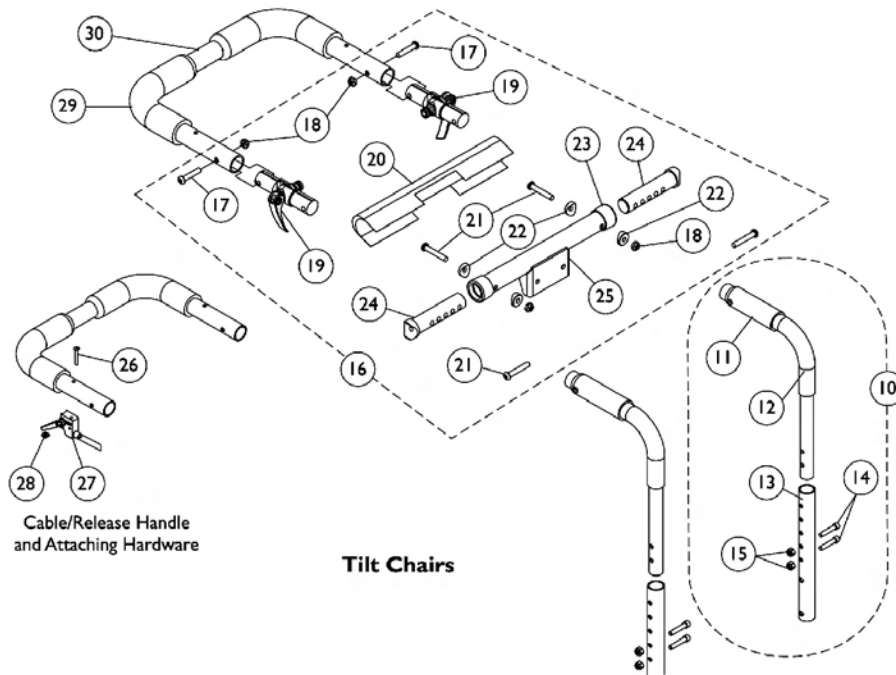
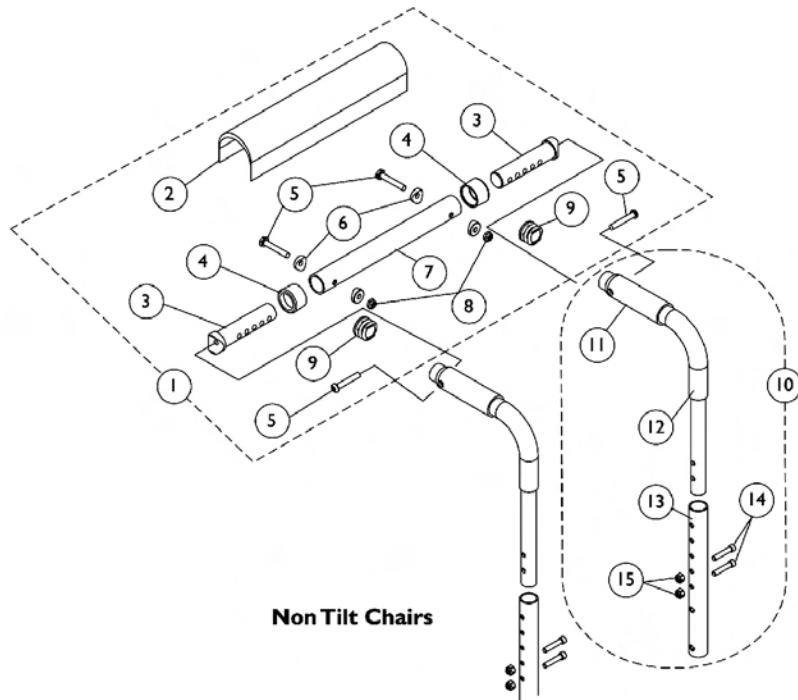
#1 Back Cane w/ Grip

Back Height	Back Cane w/ Grip 10 Degree Bend
12"	1049955
13"	1049956
14"	1049957
15"	1049958
16"	1045575
17"	1045576
18"	1045577
19"	1045578
20"	1045579
21"	1052227
22"	1052230

NOTE: Back canes include foam grips

Back Canes, Spreader Bar, and Push Handle

After 10/26/04



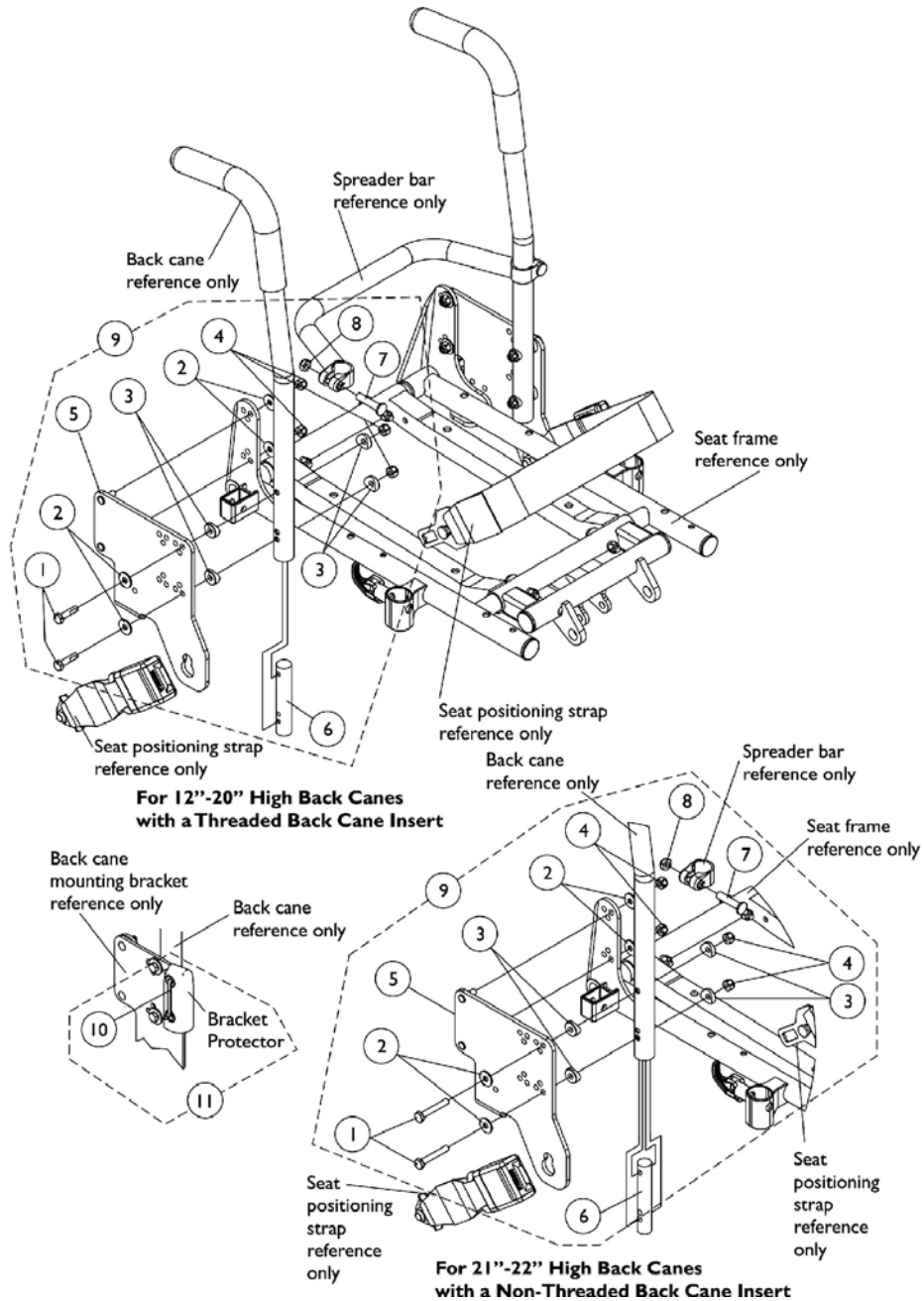
Back Canes, Spreader Bar, and Push Handle After 10/26/04

Item Number	Note	Part Number	Description	Quantity Per	
				Package	Assembly
1	A,B	1126147	Kit, Spreader Bar Assembly (12"-16" Wide)	1	1
2			Cover, Spreader Bar	1	1
3			Insert, Spreader Bar Connector	1	2
4			Anti-Rattle (1")	1	2
5			Screw, Socket Button Head (1/4-20 x 1-1/2")	1	4
6			Spacer, Coved (1/4 x 11/16 x 1/2")	1	4
7			Tube, Spreader Bar	1	1
8			Locknut (1/4-20)	1	2
9			Plug Button, Black (1")	1	2
10	C	1127154	Kit, Back Cane Assembly with Hardware (12"-15" Back Height)	1	1
11			Grip, Foam (4")	1	1
12			Handle, Push	1	1
13			Cane, Lower - 12"-15" Back Height	1	1
14			Screw, Socket Head (1/4-20 x 1-1/4")	1	2
15			Locknut (1/4-20)	1	2
10	C	1127155	Kit, Back Cane Assembly with Hardware (16"-19" Back Height)	1	1
11			Grip, Foam (4")	1	1
12			Handle, Push	1	1
13			Cane, Lower - 16"-19" Back Height	1	1
14			Screw, Socket Head (1/4-20 x 1-1/4")	1	2
15			Locknut (1/4-20)	1	2
10	C	1127156	Kit, Back Cane Assembly with Hardware (20"-22" Back Height)	1	1
11			Grip, Foam (4")	1	1
12			Handle, Push	1	1
13			Cane, Lower - 20"-22" Back Height	1	1
14			Screw, Socket Head (1/4-20 x 1-1/4")	1	2
15			Locknut (1/4-20)	1	2
11	D	1135505	Package, Foam Hand Grips (4" Long)	10	1
16		1126148	Kit, Spreader Bar with Headrest Bracket (12"-16" Adj. Width)	1	1
17		Screw, Socket Button Head (1/4-20 x 1-1/4")	1	2	
18		Locknut (1/4-20)	1	4	
19		Folding Hinge Assembly	1	2	
20		Cover, Spreader Bar w/ Headrest Bracket	1	1	
21		Screw, Socket Button Head (1/4-20 x 1-1/2")	1	4	
22		Spacer, Coved (1/4 x 11/16 x 1/2")	1	4	
23		Anti-Rattle (1")	1	2	
24		Insert, Spreader Bar Connector	1	2	
25		Tube, Spreader Bar w/ Headrest Bracket	1	1	
26		1028513	Screw, Socket Head (#10-32 x 1-1/4")	1	1
27		1126103	Release Handle w/ Cable Assembly	1	1

Back Canes, Spreader Bar, and Push Handle After 10/26/04

Item Number	Note	Part Number	Description	Quantity Per	
				Package	Assembly
28		1086207	Nut, Square (#10-32)	1	1
29		1133698	Grip, Foam Hand (9" Long)	1	2
30		1082620	Handle, Push w/ Foam Grip, Black (12" Wide)	1	1
30		1082621	Handle, Push w/ Foam Grip, Black (13" Wide)	1	1
30		1082622	Handle, Push w/ Foam Grip, Black (14" Wide)	1	1
30		1082623	Handle, Push w/ Foam Grip, Black (15" Wide)	1	1
30		1082624	Handle, Push w/ Foam Grip, Black (16" Wide)	1	1
NOTE: A - Plug Buttons are not required when stroller handles are used. B - Includes items 2-9 C - Includes items 11-15 D - Includes items 17-25					

Back Canes and Spreader Bar Mounting Hardware Before 10/27/04 (12-13" Seat Depths)

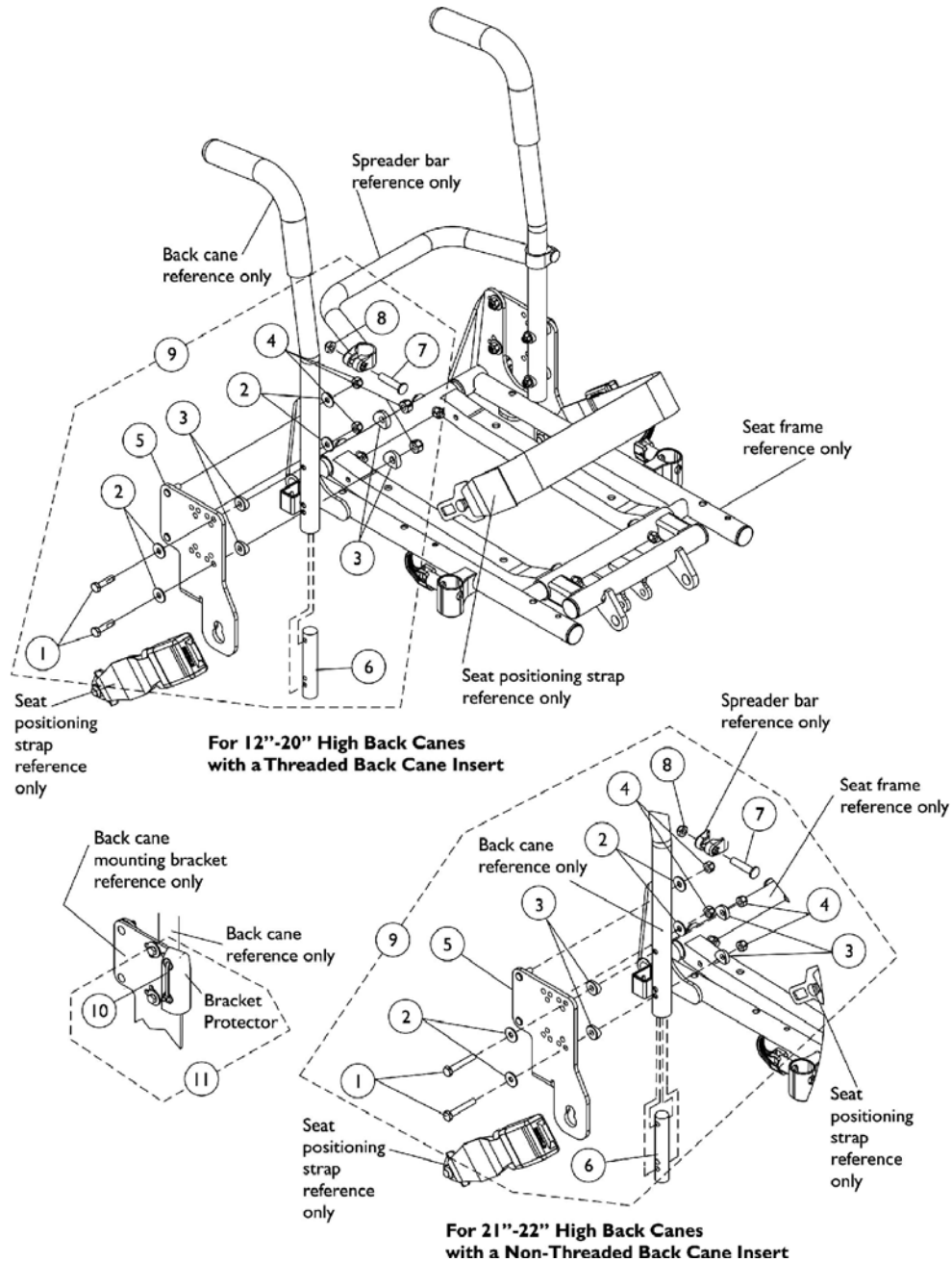


Back Canes and Spreader Bar Mounting Hardware Before 10/27/04 (12-13" Seat Depths)

Item Number	Note	Part Number	Description	Quantity Per	
				Package	Assembly
1	A	1037610	Screw, Hex Head (1/4-20 x 1-5/8")	1	4
2		1026900	Washer (1/4 x 23/32 x 1/16")	1	8
3		1026099	Spacer, Coved (1/4 x 11/16 x 1/2")	1	8
4		1025736	Locknut (1/4-20)	1	8
5		1121895	Bracket, Back Cane Mounting - Right (12"-13" Deep)	1	1
5		1121896	Bracket, Back Cane Mounting - Left (12"-13" Deep)	1	1
6	A	1059388	Insert, Non-Threaded Back Cane (For Back Heights 20" and Lower)	1	2
6		1070433	Insert, Non-Threaded Back Cane (For Back Heights 21" and Higher)	1	2
7	B	1031026	Screw w/ Lug (5/16-24 x 1-3/8")	1	2
8	B	1025730	Locknut (5/16-24)	1	2
9	C	1122276	Kit, Back Mounting Hardware (12-13" Seat Depths with 12-19" Back Heights)	2	1
9	D	1122277	Kit, Back Mounting Hardware (12-13" Seat Depths with a 20" Back Height)	2	1
9	D	1122278	Kit, Back Mounting Hardware (12-13" Seat Depths with 21-22" Back Heights)	2	1
10		1006525	Cable Tie (3-7/8" L)	1	2
11	F	1045270	Bracket Protector Assembly	2	1
	E	1045271	Instruction Sheet, Bracket Protector	1	1

NOTE: A - Prior to 7/9/04 new back mounting hardware must be ordered for 12-13" deep seats that use CJ brackets. The threaded insert was replaced with a non-threaded insert for back heights 20" and lower.
 B - Item 7 and 8 used for back heights 20"-22" only
 C - Includes items 1-6
 D - Includes items 1-8
 E - Not Shown
 F - Includes (2) Cable Ties, (2) Bracket Protectors, and (1) Instruction Sheet.

Back Canes and Spreader Bar Mounting Hardware Before 10/27/04 (14-15" Seat Depths)



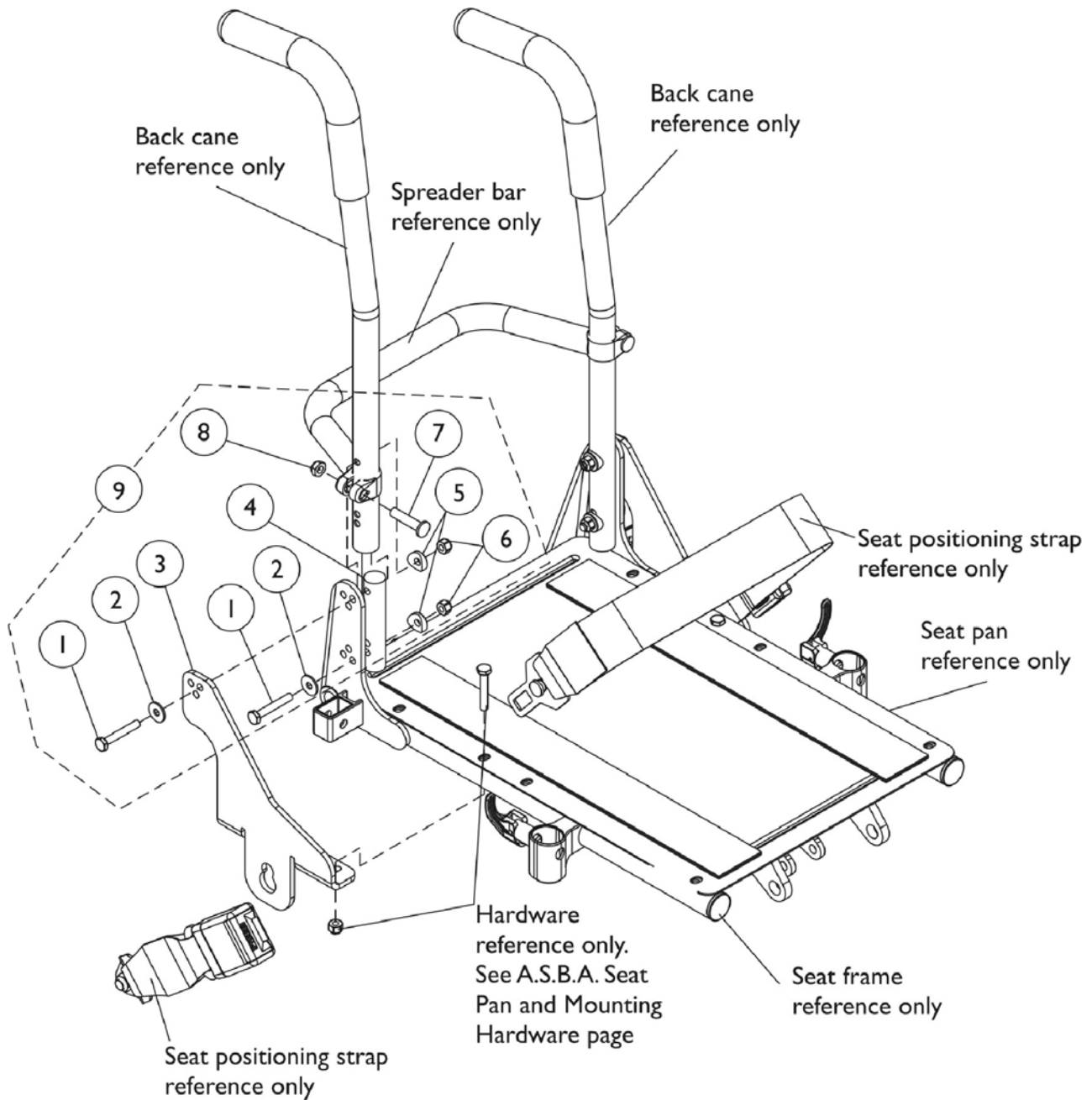
Back Canes and Spreader Bar Mounting Hardware Before 10/27/04 (14-15" Seat Depths)

Item Number	Note	Part Number	Description	Quantity Per	
				Package	Assembly
1	A	1037610	Screw, Hex Head (1/4-20 x 1-5/8")	1	4
2		1026900	Washer (1/4 x 23/32 x 1/16")	1	8
3		1026099	Spacer, Coved (1/4 x 11/16 x 1/2")	1	8
4		1025736	Locknut (1/4-20)	1	8
5		1121897	Bracket, Back Cane Mounting -Right (14"-15" Deep)	1	1
5		1121898	Bracket, Back Cane Mounting -Left (14"-15" Deep)	1	1
6	A	1059388	Insert, Non-Threaded Back Cane (For Back Heights 20" and Lower)	1	2
6		1070433	Insert, Non-Threaded Back Cane (For Back Heights 21" and Higher)	1	2
7	B	1031026	Screw w/ Lug (5/16-24 x 1-3/8")	1	2
8	B	1025730	Locknut (5/16-24)	1	2
9	C	1122279	Kit, Back Mounting Hardware (14-15" Seat Depths with 12-19" Back Heights)	2	1
9	D	1122280	Kit, Back Mounting Hardware (14-15" Seat Depths with a 20" Back Height)	2	1
9	D	1122281	Kit, Back Mounting Hardware (14-15" Seat Depths with 21-22" Back Heights)	2	1
10		1006525	Cable Tie (3-7/8" L)	1	2
11		1045270	Bracket Protector Assembly	2	1
	E	1045271	Instruction Sheet, Bracket Protector	1	1

NOTE: A - Prior to 7/9/04 new back mounting hardware must be ordered for 14-15" deep seats that use CJ brackets. The threaded insert was replaced with a non-threaded insert for back heights 20" and lower.
B - Item 7 and 8 used for back heights 20"-22" only
C - Includes items 1-6
D - Includes items 1-8
E - Not Shown

Back Canes and Spreader Bar Mounting Hardware

Before 10/27/04 (16" Seat Depth)

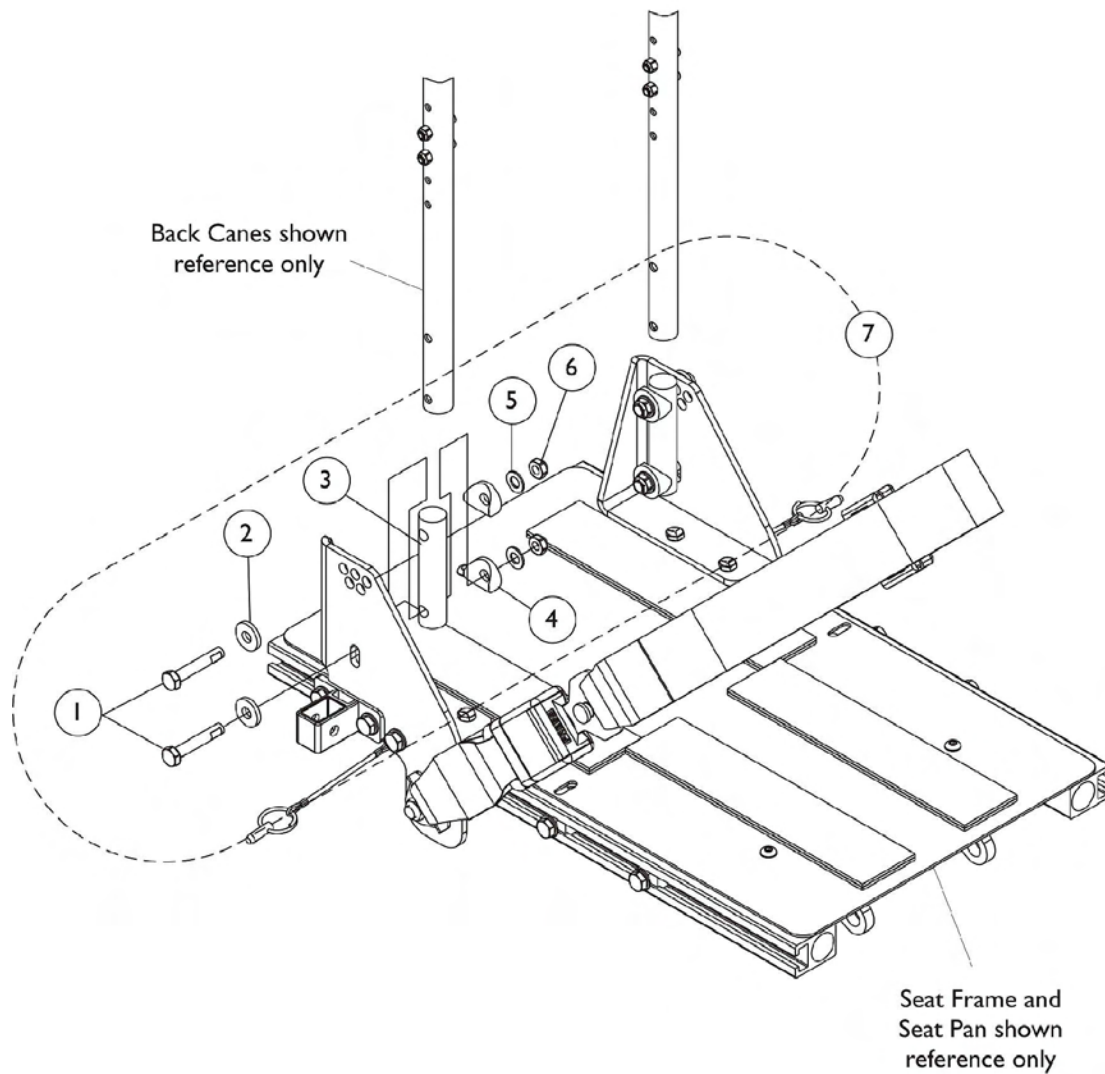


Back Canes and Spreader Bar Mounting Hardware Before 10/27/04 (16" Seat Depth)

Item Number	Note	Part Number	Description	Quantity Per	
				Package	Assembly
1		1037610	Screw, Hex Head (1/4-20 x 1-5/8")	1	4
2		1026900	Washer (1/4 x 23/32 x 1/16")	1	4
3		1121899	Bracket, Back Cane Mounting - Right (16" Deep)	1	1
3		1121900	Bracket, Back Cane Mounting - Left (16" Deep)	1	1
4	A	1059388	Insert, Non-Threaded Back Cane (For Back Heights 20" and Lower)	1	2
4	B	1070433	Insert, Non-Threaded Back Cane (For Back Heights 21" and Higher)	1	2
5		1026099	Spacer, Coved (1/4 x 11/16 x 1/2")	1	4
6		1025736	Locknut (1/4-20)	1	4
7	C	1031026	Screw w/ Lug (5/16-24 x 1-3/8")	1	2
8	C	1025730	Locknut (5/16-24)	1	2
9	D	1122282	Kit, Back Mounting Hardware (16" Seat Depth with 12-19" Back Heights)	2	1
9	E	1122283	Kit, Back Mounting Hardware (16" Seat Depth with a 20" Back Height)	2	1
9	E	1122284	Kit, Back Mounting Hardware (16" Seat Depth with 21-22" Back Heights)	2	1
NOTE: A - For 12"-20" back heights B - For 21"-22" back heights C - Item 7 and 8 used for back heights 20"-22" only D - Includes items 1-6 E - Includes items 1-8					

Back Cane Mounting Hardware

After 10/26/04 (All Depths)

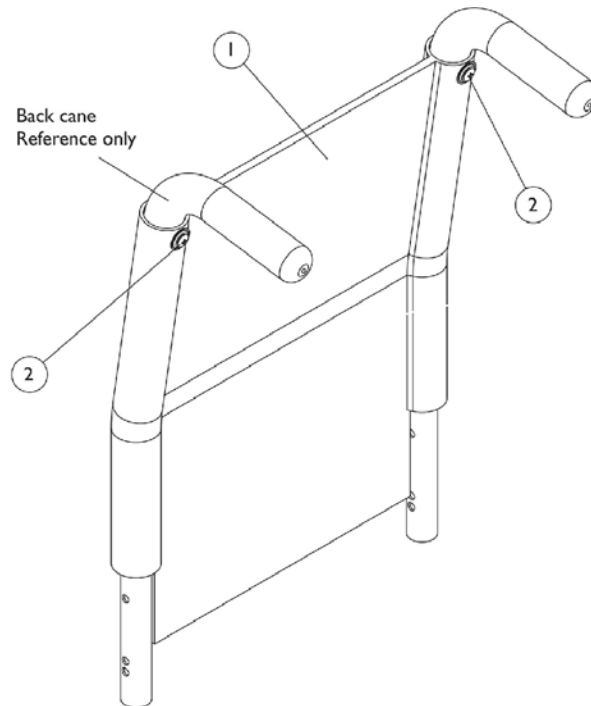


Back Cane Mounting Hardware After 10/26/04 (All Depths)

Item Number	Note	Part Number	Description	Quantity Per	
				Package	Assembly
7	A	1126146	Kit, Back Cane Attaching Hardware	1	1
1			Screw, Hex Head Cap with Patch (5/16-18 x 1-3/4")	1	4
2			Washer, Flat (21/64 x 53/64 x 7/64")	1	4
3			Insert, Back Cane	1	2
4			Spacer, Coved (3/4 x 1 x 1/2")	1	4
5			Washer, Flat (5/16 x 5/8 x 1/16")	1	4
6			Locknut (5/16-18)	1	4

NOTE: A - Includes items 1-6

Back Upholstery - Black Nylon



#1 Back Upholstery - Black Nylon

Back Height	12" Wide	13" Wide	14" Wide	15" Wide	16" Wide
12"-13" High	1045221	1045223	1049939	1049940	1049941
14"-15" High	1045222	1045224	1049942	1049943	1045175
16"-17" High	1045257	1045259	1045173	1045174	8881045175
18"-19" High	1045258	1045260	1045205	1045206	1045207
20" High	N/A	N/A	1068945	1068946	1068947
21"-22" High	N/A	N/A	1045157	1045158	1045159

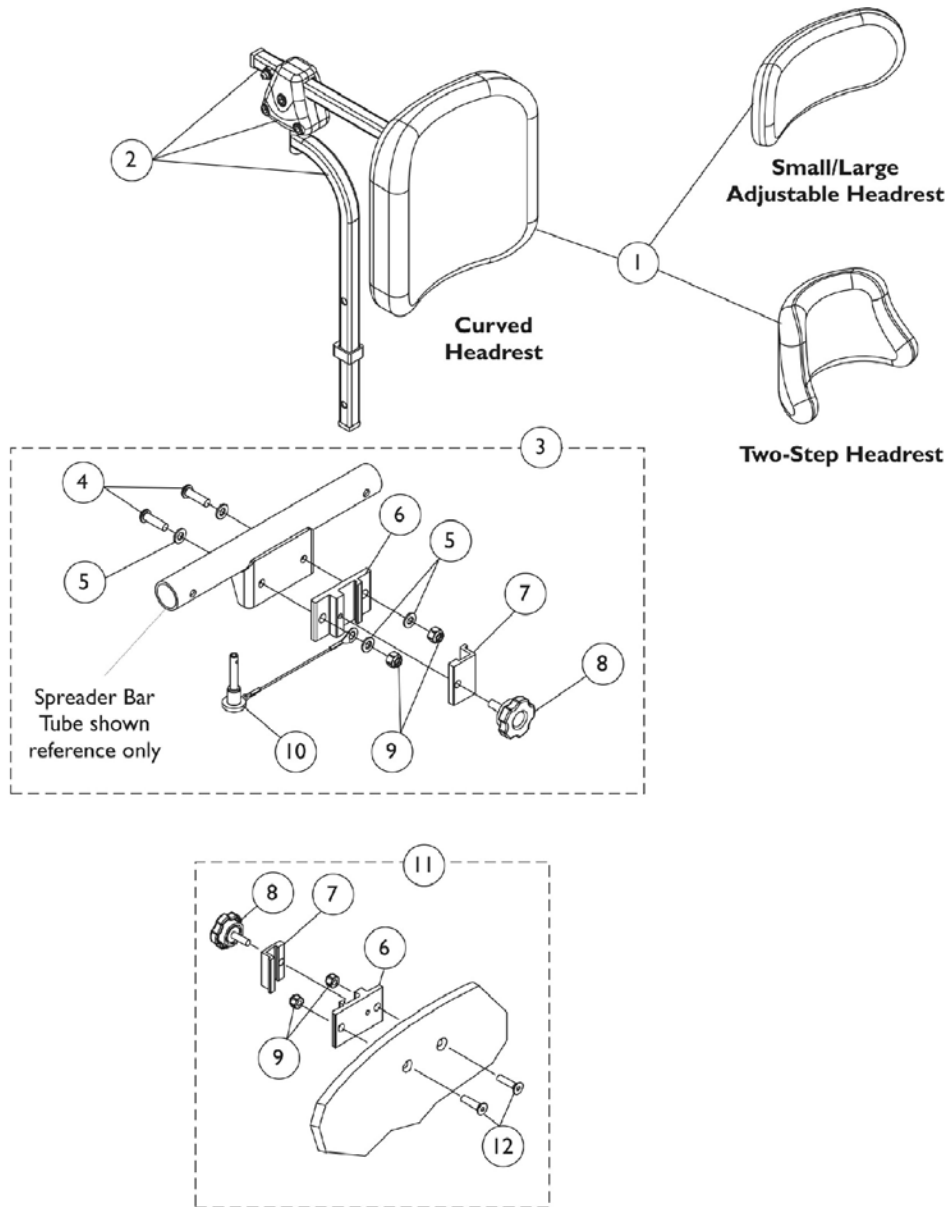
Back Upholstery - Black Nylon

Back Upholstery Attaching Hardware

Item Number	Note	Part Number	Description	Quantity Per	
				Package	Assembly
1		See Chart	#1 Back Upholstery - Black Nylon	1	1
2	A	1029850	Back Upholstery Hardware	2	1

NOTE: A - Includes - Screws with Washers (#10 x 7/8") (2 ea.) and Cable Ties (2 ea.)

Headrest and Attaching Hardware

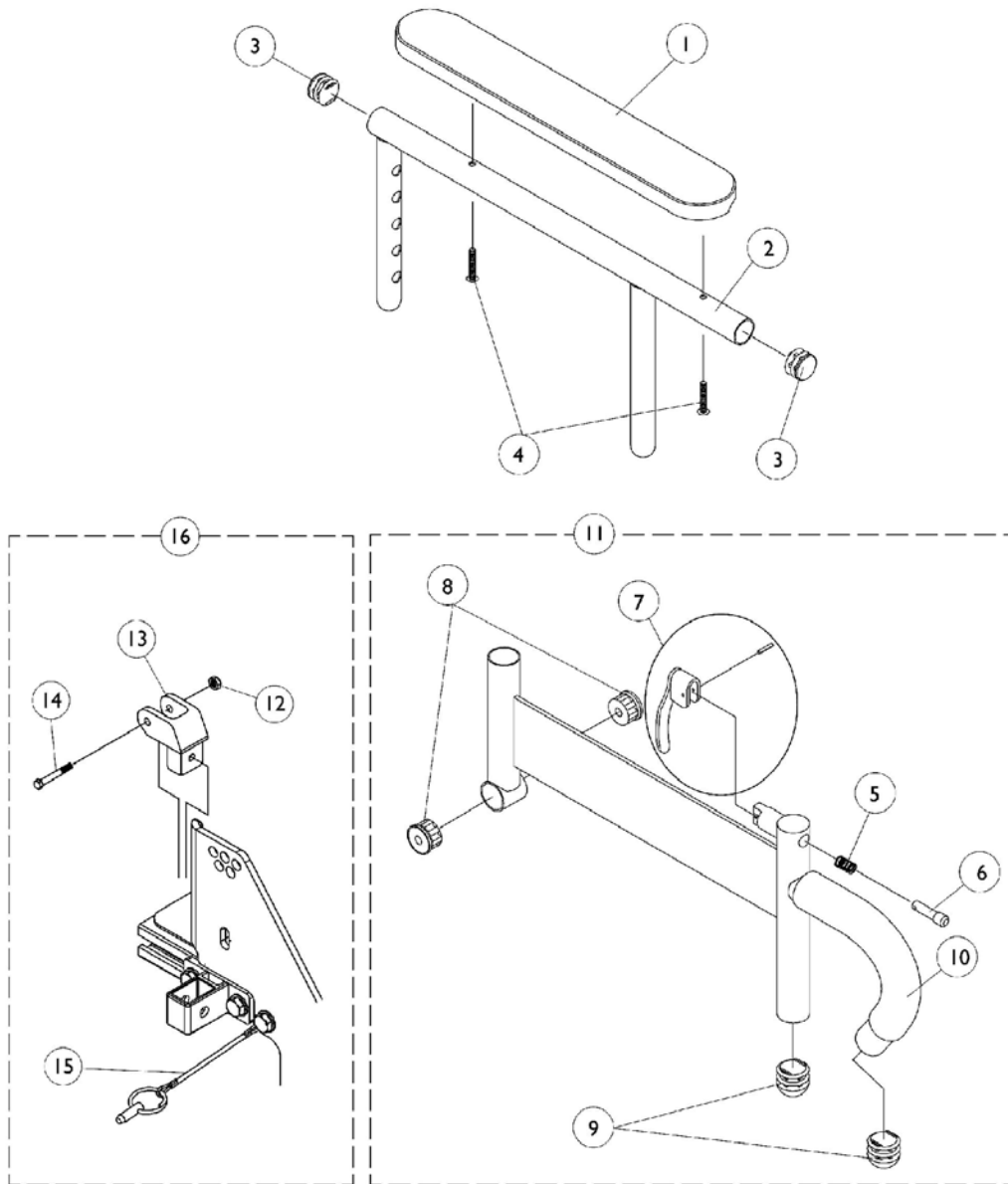


Headrest and Attaching Hardware

Item Number	Note	Part Number	Description	Quantity Per	
				Package	Assembly
1		0127700	Headrest, Curved (6"W x 7"H)	1	1
1		0022600	Headrest, Small Adjustable, Otto Bock (9"W x 3-1/2"H)	1	1
1		0022400	Headrest, Large Adjustable, Otto Bock (12"W x 6"H)	1	1
1		0128000	Headrest, Two-Step (8-1/2"W x 5-1/2"H)	1	1
2		1128754	Headrest Bracket Assembly (Offset)	1	1
3	A	1127973	Kit, Headrest Clamp Hardware	1	1
4		1028410	Screw, Socket Button Head (1/4-20 x 7/8")	1	2
5		1026907	Washer (1/4 x 1/2 x 1/16")	1	4
6	B	0237422-NLA	Clamp, Small Bottom Half	1	1
7	B	0237522-NLA	Clamp, Small Top Half	1	1
8		1072439	Knob, Adjustment (1-3/8" Dia., 3/4" Long Threads)	1	1
9		1025736	Locknut (1/4-20)	1	2
10		1128725	Pin, Quick Release with Lanyard	1	1
11	C	0273100	Kit, Headrest Clamp	1	1
12		0288706	Screw, Socket Head (1/4-20 x 1")	1	2

NOTE: A - Includes items 4-10
 B - Clamp is no longer available individually. See item 11, Clamp Assembly - Part # 0273100 for replacement.
 C - Includes items 6-9 and 12.

Arms, Adjustable Height

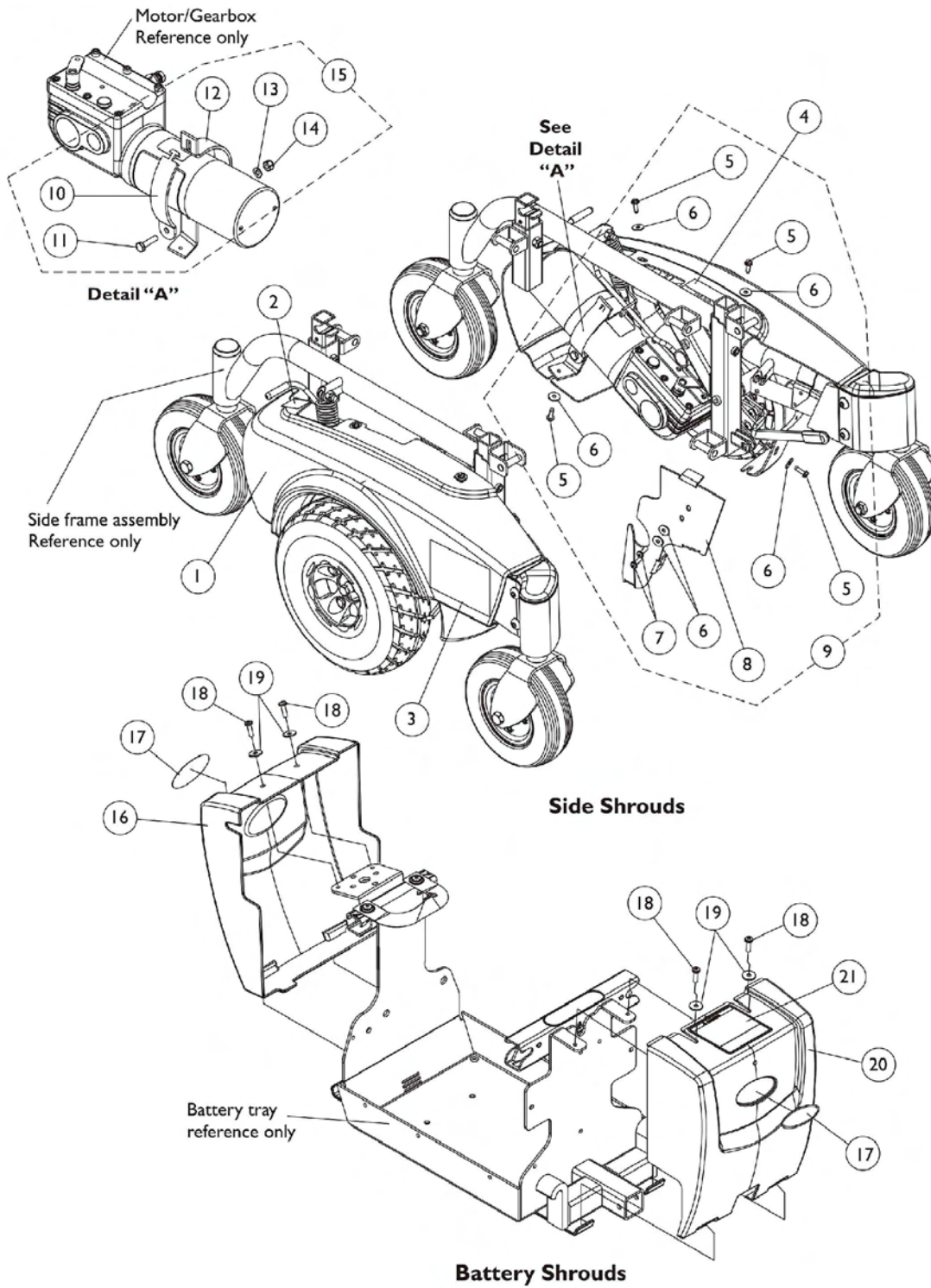


Arms, Adjustable Height

Item Number	Note	Part Number	Description	Quantity Per	
				Package	Assembly
1	A	8881015932	Arm Pad, Vinyl, Full Length (14" L x 2" W) - Right	1	1
1	A	8881015933	Arm Pad, Vinyl, Full Length (14" L x 2" W) - Left	1	1
1	A	8881053577	Arm Pads, Vinyl, Full Length with Screws (14" L x 2" W)	2	1
1	A	8881011811	Arm Pad, Vinyl, Desk Length (9" L x 2" W)	1	1
1	A	8881053578	Arm Pads, Vinyl, Desk Length with Screws (9" L x 2" W)	2	1
2		1071263	Upper Arm Assembly, Adjustable Height with Plug Buttons - Full Length	1	1
2		1071259	Upper Arm Assembly, Adjustable Height with Plug Buttons - Desk Length	1	1
3		1027095	Plug Button, Black (7/8")	1	2
4		1055949	Screws, Phillips Pan Head (#10-32 x 1-1/8")	2	1
5		47471X074	Spring, Arm Lock	1	1
6		1028594	Pin, Arm Lock	1	1
7		1090768	Kit, Lock Handle w/Rivets (both LT & RT side)	2	1
8		1065936	Plug, Pivot	1	2
9		1067734	Plug Button, Black (5/8")	1	2
10		1016298	Grip, Push Handle	1	1
11		1068585	Arm Base Assembly, Adjustable Height - Right (Black)	1	1
11		1068586	Arm Base Assembly, Adjustable Height - Left (Black)	1	1
12		1025195	Locknut (1/4-20)	1	1
13		1068025	Clevis, Pivot	1	1
14		1019590	Screw, Socket Button Head (1/4-20 x 1-5/8")	1	1
15		1068039	Pin, Pull	1	1
16		1068488	Kit, Swingaway Armrest Mounting Hardware	1	1

NOTE: A - Specify upholstery color U67 Black when ordering.

Shrouds and Mounting Hardware



Shrouds and Mounting Hardware

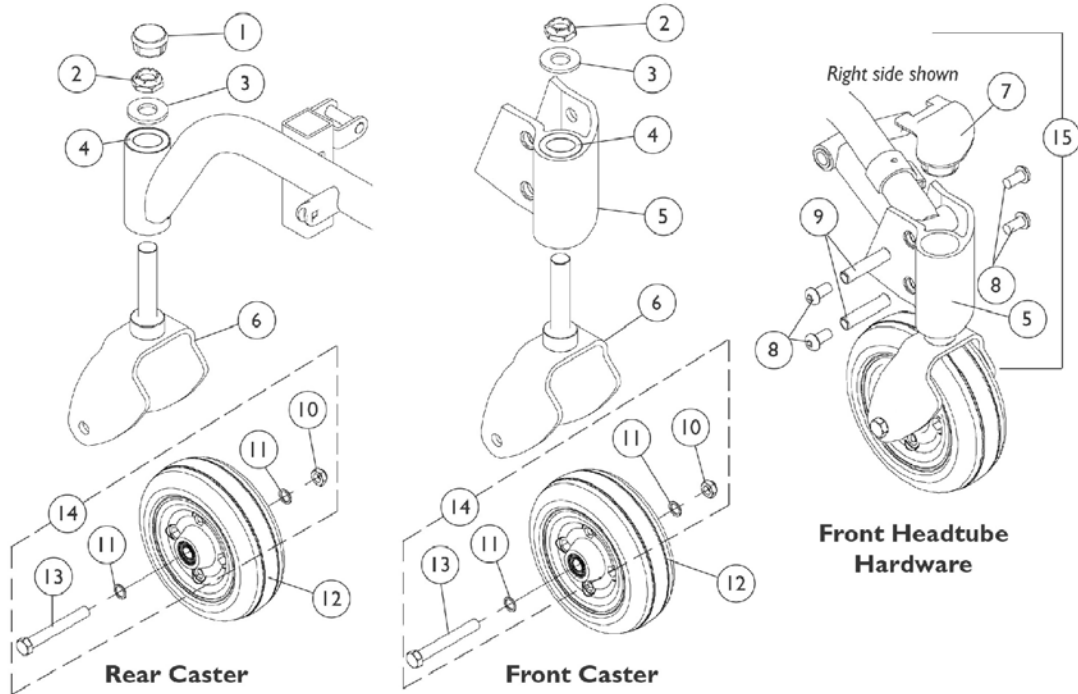
Item Number	Note	Part Number	Description	Quantity Per	
				Package	Assembly
1		See Chart	#1 Side Shrouds with Decals	1	1
2		1104797	Decal, Shroud Drive/Push	1	2
3		1121907	Decal, Shroud (Pronto M71 Jr.)	1	2
4		1120033-NLA	Decal, Warning	1	1
5		1025451	Screw, Slotted Hex Washer Head (#10-32 x 5/8")	1	8
6		1070587	Washer, Flat (3/16 x 5/8 x 1/16")	1	12
7		1028755	Screw, Phillips Pan Head (#10-32 x 5/8")	1	4
8		1122958	Plate, Shroud - Right	1	1
8		1122959	Plate, Shroud - Left	1	1
9	A	1122269	Kit, Side Shroud Hardware	2	1
10		1109035	Clamp, Shroud	1	1
11		1025713	Screw, Hex Head (1/4-20 x 1")	1	1
12		1109036	Bracket, Clamp Shroud - Right	1	1
12		1109037	Bracket, Clamp Shroud - Left	1	1
13		1026907	Washer (1/4 x 1/2 x 1/16")	1	1
14		1025713	Screw, Hex Head (1/4-20 x 1")	1	1
15	B	1108464	Kit, Shroud Clamp Hardware - Right	1	1
15	B	1108465	Kit, Shroud Clamp Hardware - Left	1	1
16		1123240	Shroud, Battery Rear with Decal (Black)	1	1
17		1095489	Decal, Invacare 3-D Logo (2-1/2" L)	1	2
18		1028755	Screw, Phillips Pan Head (#10-32 x 5/8")	1	4
19		1070587	Washer, Flat (3/16 x 5/8 x 1/16")	1	4
20		1123238	Shroud, Battery Front with Decals (Black)	1	1
21		1118381	Label, Warning Battery Terminal	1	1

NOTE: A - Includes items 5-8
B - Includes items 10-14

#1 Side Shrouds with Decals

Side	Magic Black	Deep Blue Pearl	Candy Red Pearl
Right	1122272	1122274	1122270
Left	1122273	1122275	1122271

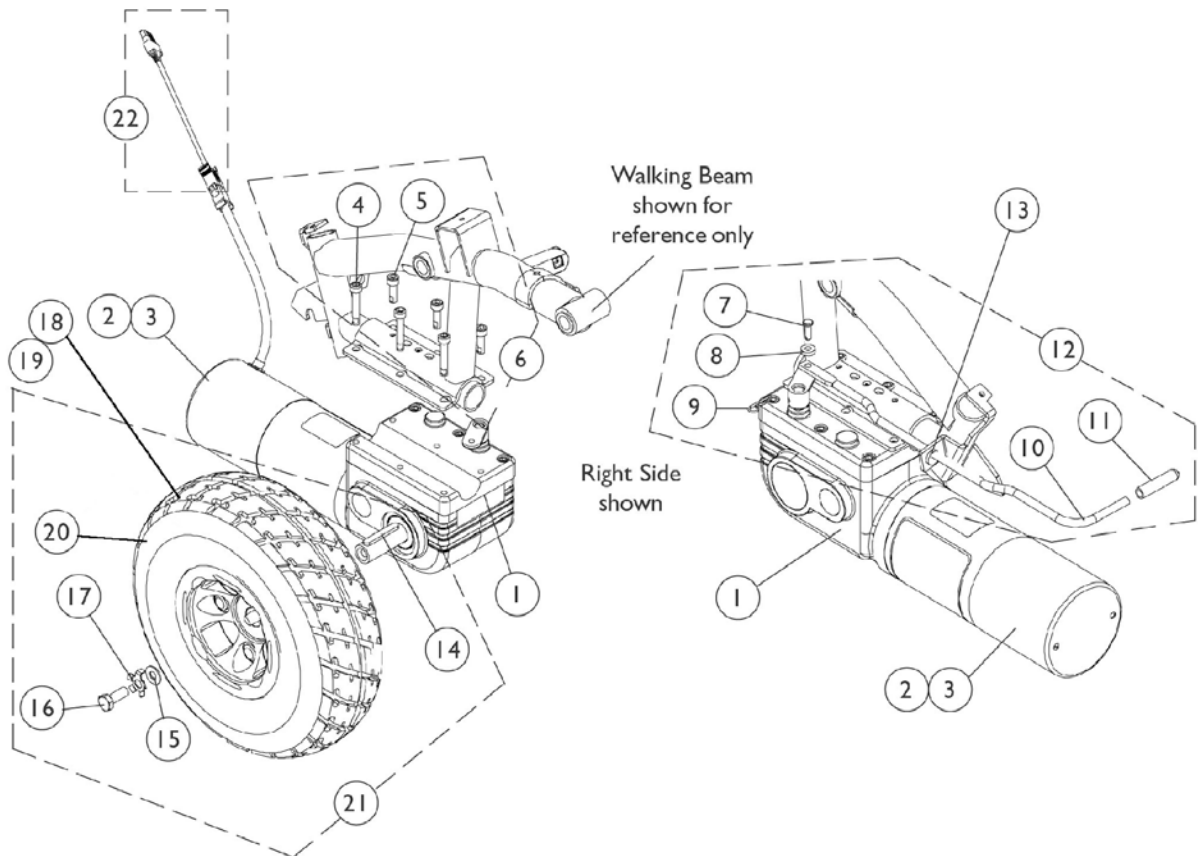
Casters, Forks, and Hardware



Item Number	Note	Part Number	Description	Quantity Per	
				Package	Assembly
1		1105026	Cap, Headtube	1	1
2		1028550	Locknut (5/8-18)	1	1
3		1041444	Washer (5/8 x 1-5/16 x 1/8")	1	1
4		40117X006	Bearing (5/8")	1	2
5		1109014	Headtube, Caster - Right	1	1
5		1109015	Headtube, Caster - Left	1	1
6		1106355	Fork and Stem	1	1
7		1105024	Cap, Front Headtube - Right	1	1
7		1105025	Cap, Front Headtube - Left	1	1
8		1109222	Screw, Socket Button Head Cap (3/8-24 x 3/4")	1	4
9		1106511	Bushing (3/8 x 1/2 x 2-1/8")	1	2
10		1025734	Locknut (7/16-20)	1	1
11		1025724	Washer (15/32 x 5/8 x 3/64")	1	2
12		1115179	Wheel with Bearings, 6 x 2" Urethane Deep Profile	1	1
12		1122066	Wheels with Bearings, 6 x 2" Urethane Deep Profile	2	1
13		1025726	Screw, Hex Head (7/16-20 x 3-1/4")	1	1
14	B	1042489	Caster Axle Hardware (1 Pair)	2	1
15	A	1109016	Caster Headtube with Hardware - Right	1	1
15	A	1109017	Caster Headtube with Hardware - Left	1	1

NOTE: A - Includes items 5, 7-9
B - Includes items 10, 11, and 13

Motor, Gearbox, and Drive Wheel



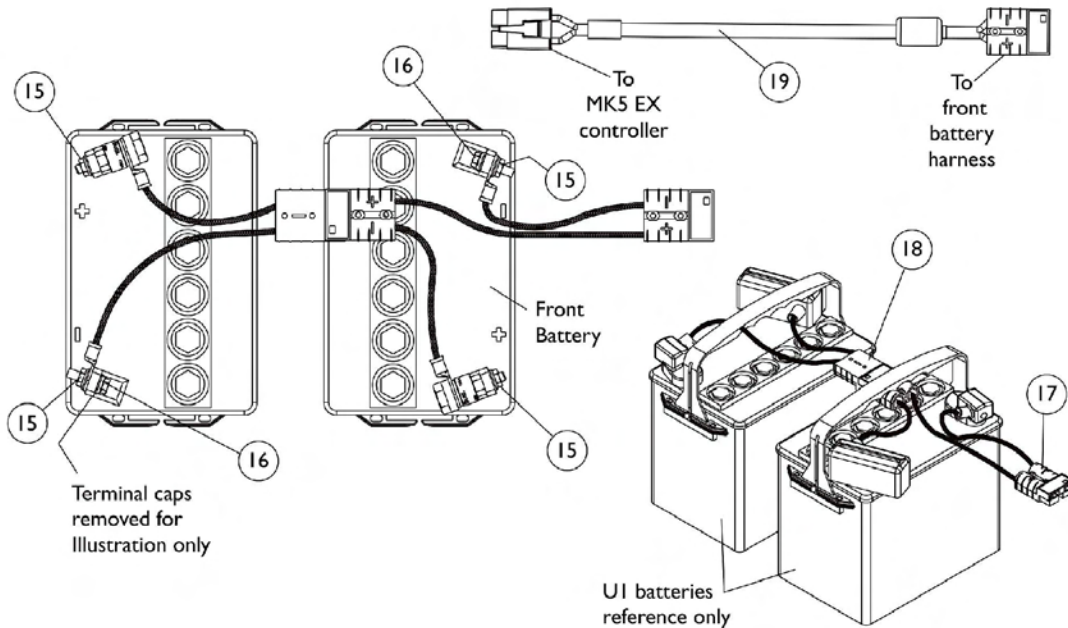
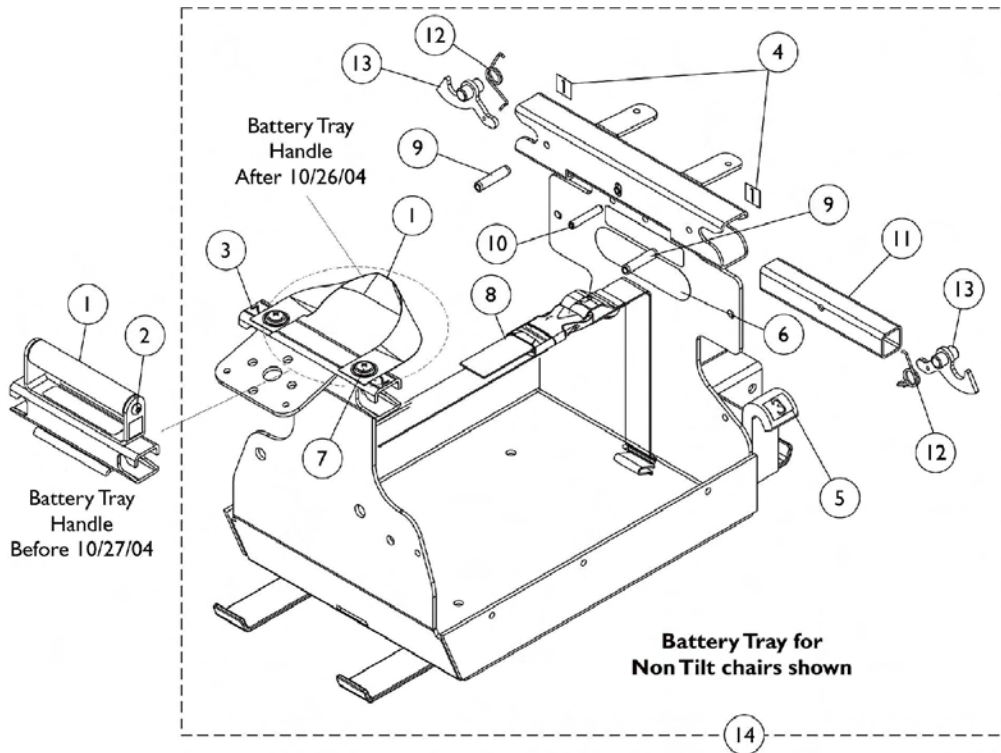
Motor, Gearbox, and Drive Wheel

Item Number	Note	Part Number	Description	Quantity Per	
				Package	Assembly
1	A	1116395	Motor with Gearbox and Cable Extension - Right	1	1
1	A	1116396	Motor with Gearbox and Cable Extension - Left	1	1
1	E	1123954	Motor, High Speed w/ Gearbox and Cable Extension - Right	1	1
1	E	1123955	Motor, High Speed w/ Gearbox and Cable Extension - Left	1	1
2		1038361	Kit, Motor/Brake Covers with Screws	2	1
3		1123528	Kit, Motor Brush - Internal (Large)	2	1
6	B	1108562	Kit, Motor Mounting Hardware	1	1
4			Screw, Socket Head Cap with Patch (M6 x 35MM)	1	3
5			Screw, Socket Head Cap with Patch (M6 x 20MM)	1	3
7		1112249	Pin, Clevis	1	1
8		1026034	Washer, Nylon (3/16 x 7/16 x 1/8")	1	1
9		1115715	Pin, Bridge	1	1
10		1112251	Lever, Motor Release	1	1
11		1040060	Tip, Black Plastic	1	1
12	C	1121978	Kit, Motor Lever and Mounting Hardware	1	1
13		1071562	Bushing, Snap	1	1
21	D	1102338	Kit, Drive Wheel with Mounting Hardware - Pneumatic (10 x 3")	1	1
14			Key (6 MM x 6MM x 40 MM)	1	1
15			Washer (11/32 x 13/16 x 1/8")	1	1
16			Screw (M8 x 1-1/4 x 20MM)	1	1
17			Kit, Locking Tab Washers with Instruction Sheet	2	1
18			Tire, Pneumatic (10" x 3")	1	1
19			Tube, Inner (10" x 3")	1	1
20			Wheel, Drive with Bearings - Pneumatic (10" x 3")	1	1
18		1109005	Tire, Pneumatic (10" x 3")	1	1
19		1109028	Tube, Inner (10" x 3")	1	1
21	D	1102339	Kit, Drive Wheel with Mounting Hardware - Flat Free (10 x 3")	1	1
14			Key (6 MM x 6MM x 40 MM)	1	1
15			Washer (11/32 x 13/16 x 1/8")	1	1
16			Screw (M8 x 1-1/4 x 20MM)	1	1
17			Kit, Locking Tab Washers with Instruction Sheet	1	1
18			Tire w/ Flat-Free (10" x 3")	1	1
20			Wheel, Drive with Tire and Bearings - Flat Free (10" x 3")	1	1
18		1102342	Tire w/ Flat-Free (10" x 3")	1	1
22	F	1143143	Harness, Motor Cable Extension	1	1

Motor, Gearbox, and Drive Wheel

NOTE: A - Chairs built Before 5/17/04. Includes item 22.
B - Includes items 4 and 5.
C - Includes items 7-11.
D - Includes items 14-17, 20.
E - Chairs built After 5/16/04. Includes item 22.
F - As of 5/15/06, harness part no. 1143143 replaced part nos. 1116389 & 1116390. The new harness is not Right/Left dependent and can be used for either side.

Battery Tray and Battery Harness Assemblies

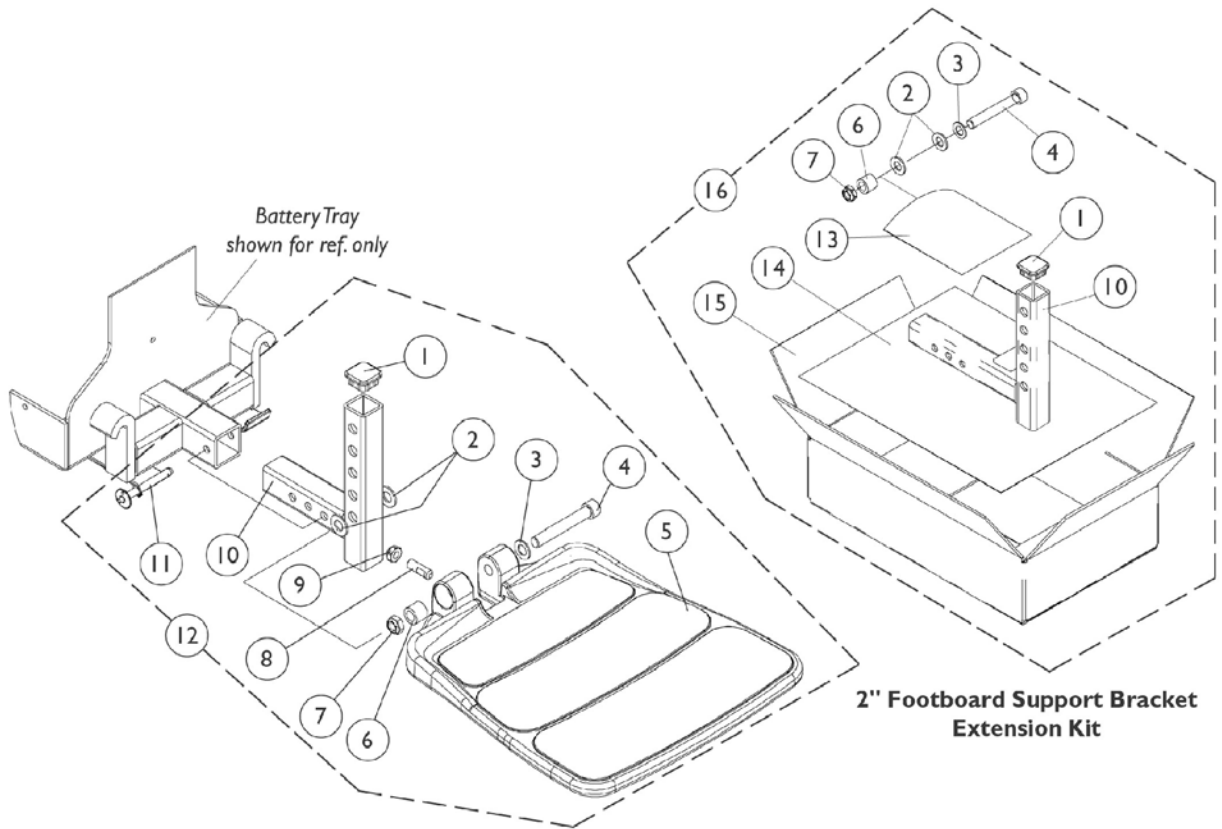


Battery Tray and Battery Harness Assemblies

Item Number	Note	Part Number	Description	Quantity Per	
				Package	Assembly
1	A,C	1108462	Handle, Battery Tray (Black Nylon Rod)	1	1
1	B,C	1126108	Handle, Battery Tray (Black Webbing)	1	1
2	A	1025354	Screw, Socket Button Head (#10-32 x 3/8")	1	2
3		1109200	Label Marker (2)	1	2
4		1109199	Label Marker (1)	1	2
5		1109201	Label Marker (3)	1	2
6		1035900	Decal, Transportation	1	1
7		1076284	Screw w/ washer (#10 x 7/8")	1	2
8		1080872	Strap with Buckle	1	1
9		1108239	Pin, Slotted (1/4 x 1-1/8")	1	2
10		1109221	Pin, Roll (3/16 x 1-1/8")	1	1
11		1108063	Handle, Release	1	1
12		1106482	Spring, Latch Release	1	2
13		1106353	Latch	1	2
14	D	1123140	Battery Tray Assembly with Labels	1	1
14	F	1127157	Battery Tray Assembly	1	1
15		16721X000	Locknut (1/4-20)	1	4
16		1102337	Screw, Hex Flange Whiz Lock(1/4-20 x 5/8")	1	2
17	E	1122212	Harness, Battery - Front	1	1
18	E	1122211	Harness, Battery - Rear	1	1
19	G	1122199	Cable, Battery Extension (100 Amp.) (Red Connector)	1	1

NOTE: A - Chairs built Before 10/27/04.
 B - Chairs built After 10/26/04.
 C - Effective 10/27/04, Battery Tray Handle has changed from a black nylon rod to a black webbing strap. Strap not used on tilting chairs.
 D - Non Tilt chairs only. Includes items 1, 3-13. Effective 10/27/04, Battery Tray Assembly now has black webbing for a handle. Use this assembly regardless when chair was built.
 E - Individual components are not available for the battery harnesses
 F - Tilt chairs only. Battery Tray for tilt chairs does not require strap or labels. Includes Tray plus items 6, 8-13.
 G - Both MK5 & MK6i use this Battery Extension Cable.

90FB Footboard Assembly



90FB Footboard Assembly

Item Number	Note	Part Number	Description	Quantity Per	
				Package	Assembly
12	B,A	1105027	Footboard Assembly	1	1
1			Cap, Tube (1" Square)	1	1
2			Washer, Nylon (3/8 x 3/4 x 1/16")	1	2
3			Washer, Flat (3/8 x 11/16 x 1/16")	1	1
4			Screw, Socket Head (3/8-16 x 2-1/2")	1	1
5			Footboard with Cover	1	1
6			Bushing (3/8 x 5/8 x 1/2")	1	1
7			Locknut, Low Profile (3/8-16)	1	1
8			Screw, Socket Set Flat (5/16-18 x 1")	1	1
9			Locknut (5/16-18)	1	1
10			Bracket, Footboard Support (Black)	1	1
11	Pin, Quick Release	1	1		
13	C	1300010	Bag, Zip Lip (4" x 4")	1	1
14		1114833	Instruction Sheet, 2" Footboard Extension	1	1
15		40131X044	Carton, Shipper	1	1
16		1115378	Kit, 2" Footboard Extension	1	1
1		Cap, Tube (1" Square)	1	1	
2		Washer, Nylon (3/8 x 3/4 x 1/16")	1	2	
3		Washer, Flat (3/8 x 11/16 x 1/16")	1	1	
4		Screw, Socket Head (3/8-16 x 2-1/2")	1	1	
6		Bushing (3/8 x 5/8 x 1/2")	1	1	
7		Locknut, Low Profile (3/8-16)	1	1	
10		Bracket, Footboard Support 2" Extension	1	1	
13		Bag, Zip Lip (4" x 4")	1	1	
14		Instruction Sheet, 2" Footboard Extension	1	1	
15		Carton, Shipper	1	1	
<p>NOTE: A - Includes items 1-11 B - When ordering a footboard assembly for the first time that requires a 2" extension kit, items 5, 8, 9, 11 and 16 must be ordered C - Includes items 1-4, 6, 7, 10 and 13-15</p>					

Front Rigging Reference Chart

Support Assemblies For PHW93, PH93M2 and PHAL4A

Front Rigging	Black Right	Black Left	Chrome Right	Chrome Left
PHW93	1114755	1114756	N/A	N/A
PH93M2	1122964	1122965	N/A	N/A
PHAL4A	N/A	N/A	1031437	1031438

Pivot/ Slide Tubes with Footplates For PHW93

Chair Width	Aluminum (1650)	Adjustable Angle (AT5543)
12"-13" Wide Right	1123070	1060442
12"-13" Wide Left	1123071	1060443
14"-15" Wide Right	1123072	1060444
14"-15" Wide Left	1123073	1060445
16" Wide Right	1074149	1062756
16" Wide Left	1074150	1062757

NOTE: Pivot/ Slide Tube Mounting Hardware is Not Included. See PHW93 Support Assembly page.

Front Rigging Reference Chart

Pivot/ Slide Tubes with Footplates For PH93M2

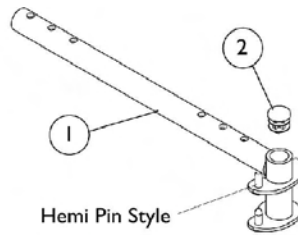
Chair Width	Aluminum (1650)	Adjustable Angle (AT5543)
12"-13" Wide Right	1123074	1060430
12"-13" Wide Left	1123075	1060431
14"-15" Wide Right	1123076	1060432
14"-15" Wide Left	1123077	1060433
16" Wide Right	1057969	1062572
16" Wide Left	1057970	1062573

Pivot/ Slide Tubes with Footplates For PHAL4A

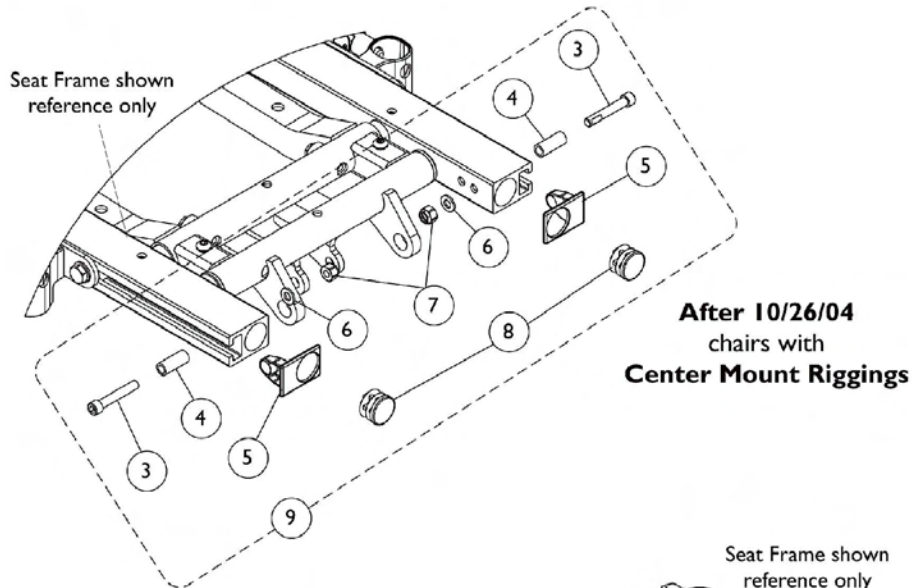
Chair Width	Aluminum (1650)	Adjustable Angle (AT5543)
14"-15" Wide Right	1023905	1091775
14"-15" Wide Left	1023906	1091776
16" Wide Right	1023907	1091777
16" Wide Left	1023908	1091778

Front Rigging Hangers and Hardware

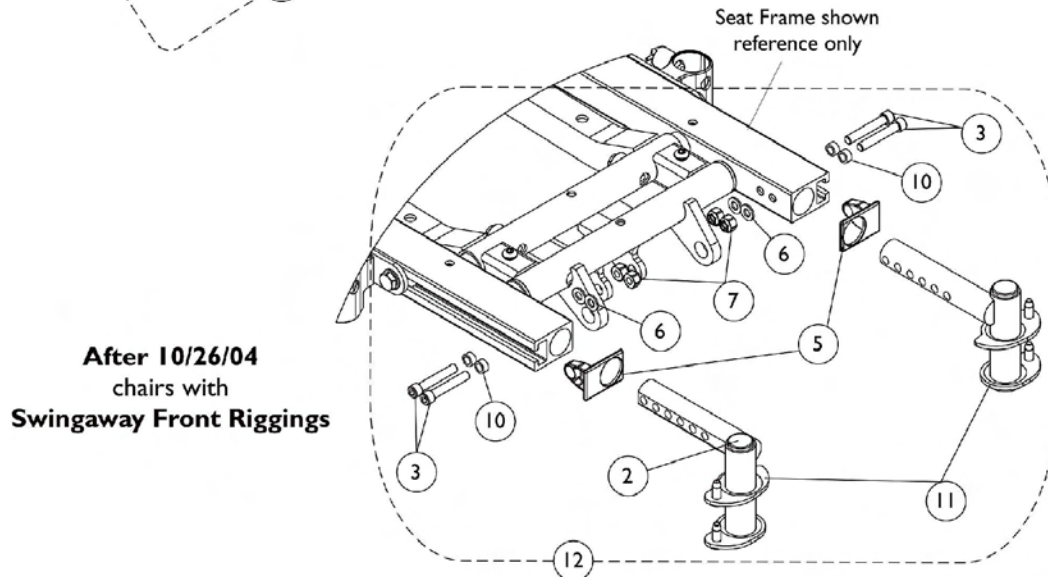
Note: Front rigging hangers and seat pan share the same mounting hardware. See Seat Pan and Mounting Hardware (Before 10/27/04) category.



Before 10/27/04



After 10/26/04
chairs with
Center Mount Riggings



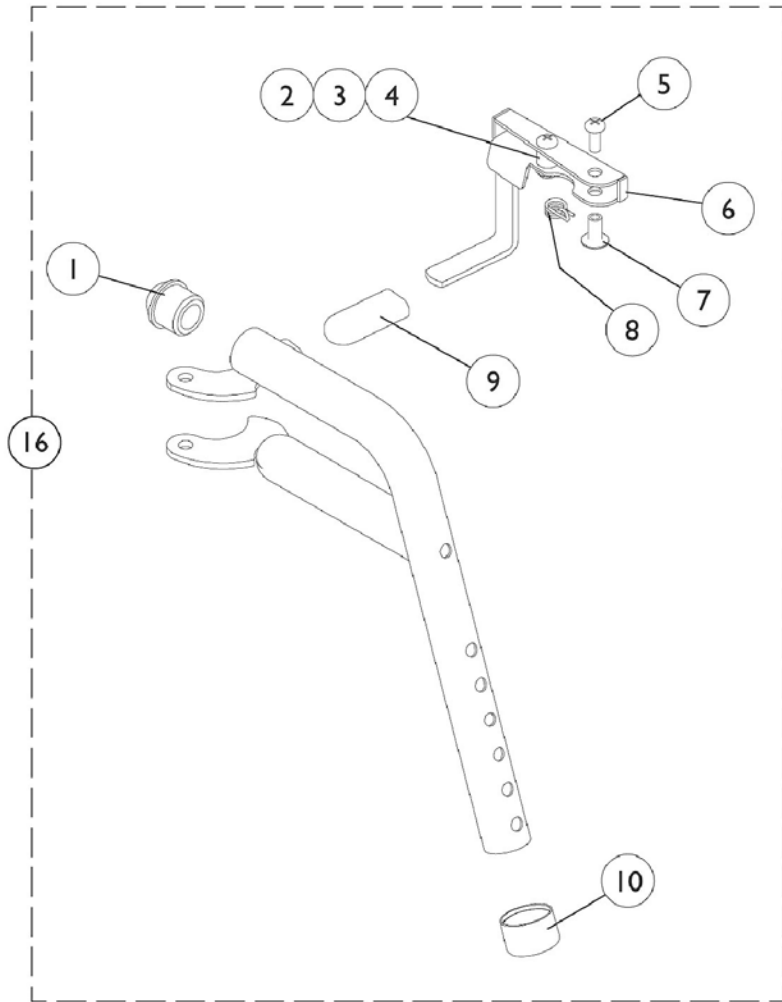
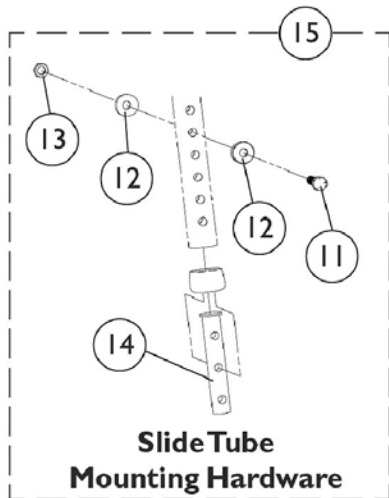
After 10/26/04
chairs with
Swingaway Front Riggings

Front Rigging Hangers and Hardware

Item Number	Note	Part Number	Description	Quantity Per	
				Package	Assembly
1	A	1114766	Front Rigging Hanger Pin Style with Plug Button (Hemi) (12-21" Deep) - Right	1	1
1	A	1114767	Front Rigging Hanger Pin Style with Plug Button (Hemi) (12-21" Deep) - Left	1	1
9	B	1126150	Kit, Side Rail Cap Hardware	2	1
3			Screw, Socket Head Cap w/ Patch (1/4-20 x 1-1/2")	1	2
4			Spacer (1/4 x 3/8 x 29/32")	1	2
5			Cap, Side Rail End	1	2
6			Washer (1/4 x 1/2 x 1/16")	1	2
7			Locknut (1/4-20)	1	2
8			Plug Button, Black (7/8")	1	2
12			C	1126149	Kit, Front Rigging Hangers with Hardware
2	Plug Button, Black (3/4")	1			2
3	Screw, Socket Head Cap w/ Patch (1/4-20 x 1-1/2")	1			4
5	Cap, Side Rail End	1			2
6	Washer (1/4 x 1/2 x 1/16")	1			4
7	Locknut (1/4-20)	1			4
10	Spacer (1/4 x 3/8 x 3/16")	1			4
11	Front Rigging Hanger Pin Style with Plug Button (Hemi) - Right	1			1
11	Front Rigging Hanger Pin Style with Plug Button (Hemi) - Left	1			1
2		1134426			Package, Plug Buttons, Black (3/4")
8		1130582	Package, Plug Buttons, Black (7/8")	10	1

NOTE: A - Includes item 2 Plug Button
 B - Includes items 3-8
 C - Includes items 2, 3, 5-7, 10 and 11

PHW93 (Hemi) Footrest Supports

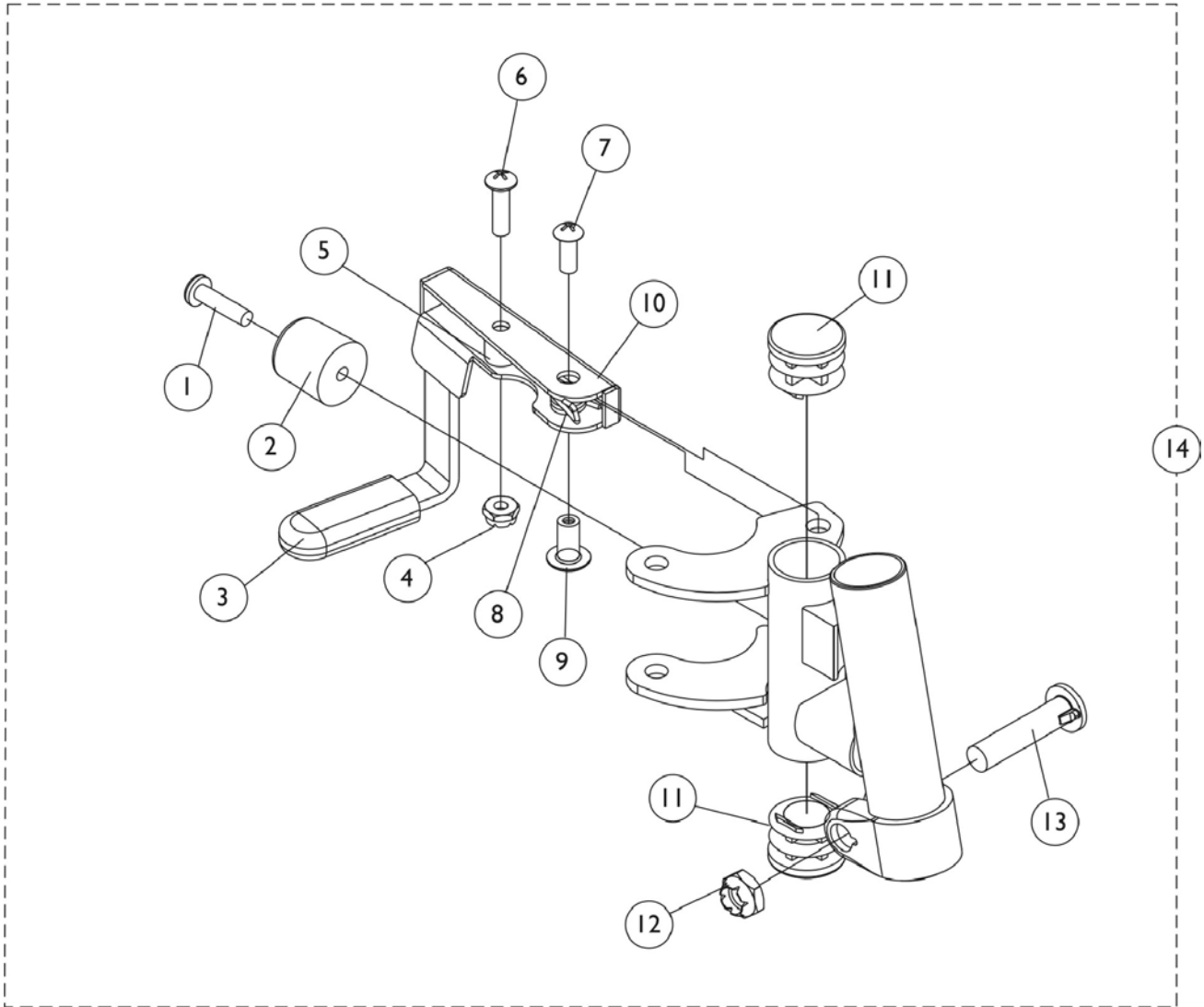


PHW93 (Hemi) Footrest Supports

Item Number	Note	Part Number	Description	Quantity Per	
				Package	Assembly
1		1020719	Anti-Rattle, Black	1	1
2		1025716	Screw, Phillips Pan Head (#10-32 x 11/16")	1	1
3		47565X057	Bushing (7/32 x 3/8 x 11/32")	1	1
4		1025735	Locknut (#10-32)	1	1
5		1026114	Screw, Phillips Pan Head (#10-32 x 1/2")	1	1
6	A	1114749	Release Handle (Black) - Right	1	1
6	A	1114750	Release Handle (Black) - Left	1	1
7		1028846	Rivnut (#10-32)	1	1
8		1028707	Spring, Release - Right	1	1
8		1028708	Spring, Release - Left	1	1
9		1006490	Tip, Plastic, Black	1	1
10		15680X012	Collar, Anti-Rattle (7/8")	1	1
11		1070759	Screw, Hex Head (1/4-20 x 1-1/2")	1	1
12		1026099	Spacer, Coved (1/4 x 11/16 x 1/2")	1	2
13		1044214	Nut, Hex with Nylon Cap (1/4-20)	1	1
14		1020534	Insert, Threaded	1	1
15	C	1074143	Kit, Slide Tube Mounting Hardware	1	1
16	B	1114755	Footrest Support Assembly, Hemi, Black - Right	1	1
16	B	1114756	Footrest Support Assembly, Hemi, Black - Left	1	1

NOTE: A - Includes items 2-4
 B - Includes items 1-10
 C - Includes items 11-14

PH93M2 (Hemi) Footrest Supports Black

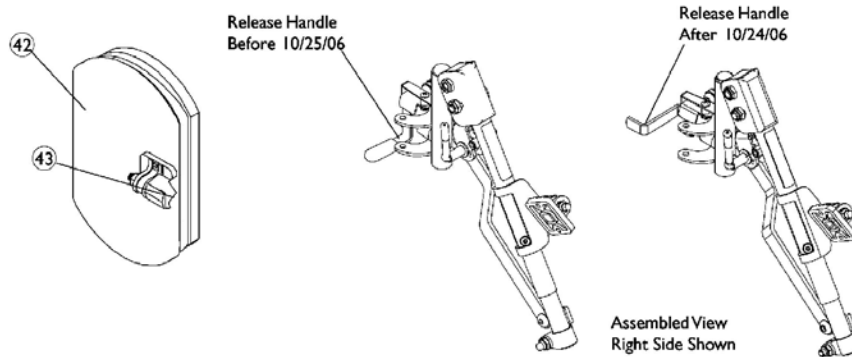
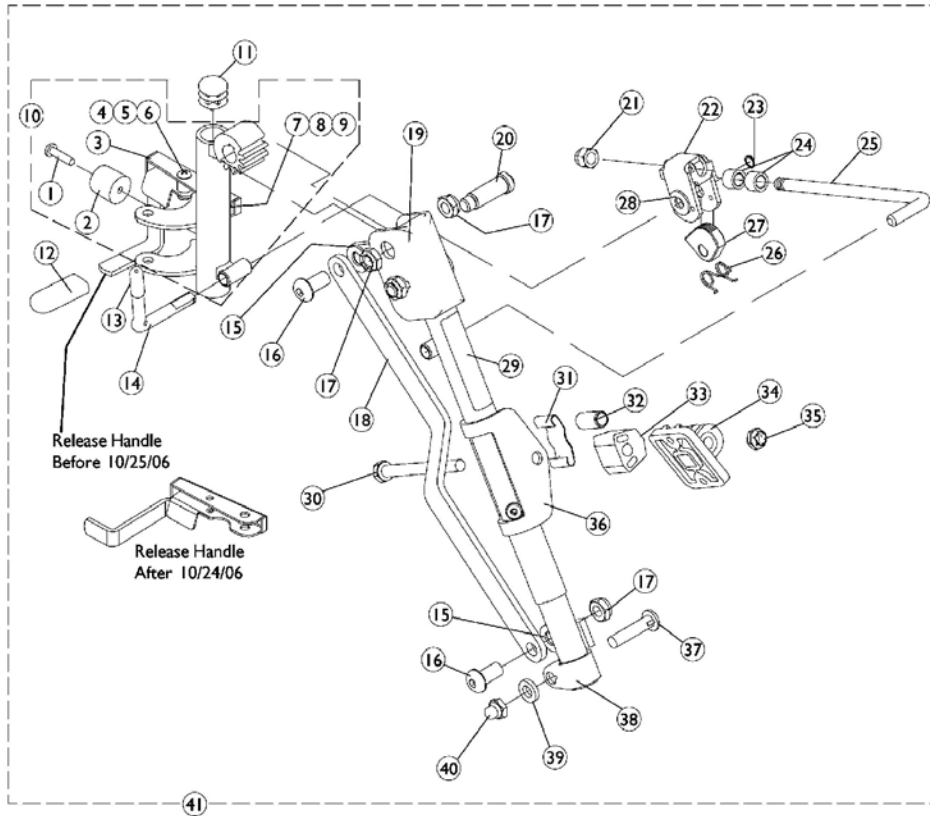


PH93M2 (Hemi) Footrest Supports Black

Item Number	Note	Part Number	Description	Quantity Per	
				Package	Assembly
1		1030979	Screw, Phillips Pan Head Tap (#10-32 x 3/4")	1	1
2		1022874	Bumper	1	1
3		1006490	Tip, Plastic, Black	1	1
4		60279X003	Locknut (#10-32)	1	1
5		47565X057	Bushing (7/32 x 3/8 x 11/32")	1	1
6		40163X008	Screw, Phillips Pan Head (#10-32 x 11/16")	1	1
7		40163X002	Screw, Phillips Round Head (#10-32 x 1/2")	1	1
8		1008935	Spring, Release - Right	1	1
8		1008936	Spring, Release - Left	1	1
9		67005X000	Rivnut (#10-32)	1	1
10		1114745	Handle, Release - Right	1	1
10		1114746	Handle, Release - Left	1	1
11		1027095	Plug Button, Black (7/8")	1	2
12		60264X001	Locknut (5/16-24)	1	1
13		11232X009	Screw, Lug (5/16-24 x 1-3/8")	1	1
14	A	1122964	Footrest Support Assembly, Hemi, Black - Right	1	1
14	A	1122965	Footrest Support Assembly, Hemi, Black - Left	1	1

NOTE: A - Includes items 1-13

PHAL4A (Hemi) Articulating Legrest Supports Chrome



PHAL4A (Hemi) Articulating Legrest Supports Chrome

Item Number	Note	Part Number	Description	Quantity Per	
				Package	Assembly
1		1030979	Screw, Phillips Pan Head Tap (#10-32 x 3/4")	1	1
2		1022874	Bumper	1	1
3	F	1023428	Handle, Release, Chrome - Right	1	1
3	F	1023431	Handle, Release, Chrome - Left	1	1
4		47565X057	Bushing (7/32 x 3/8 x 11/32")	1	1
5		60279X003	Locknut (#10-32)	1	1
6		40163X008	Screw, Phillips Pan Head (#10-32 x 11/16")	1	1
7		1008935	Spring, Release - Right	1	1
7		1008936	Spring, Release - Left	1	1
8		67005X000	Rivnut (#10-32)	1	1
9		40163X002	Screw, Phillips Round Head (#10-32 x 1/2")	1	1
10	E,E1	1023092	Legrest Support with Handle and Bumper (Chrome) - Right	1	1
10	E,E1	1023093	Legrest Support with Handle and Bumper (Chrome) - Left	1	1
11		1027097	Plug Button, Black (3/4")	1	1
12		1006490	Tip, Plastic, Black	1	1
13		1040060	Tip, Black Plastic	1	1
14		1037126	Handle, Release	1	1
15		1049527	Washer, Nylon (3/8 x 3/4 x 1/16")	1	2
16		1022866	Screw, Socket Button Head (3/8-16 x 3/4")	1	2
17		40363X000	Hex Nut (3/8"-16)	1	3
18		1022846	Bar, Link, Chrome	1	1
19		1022877	Tube Support and Drive Link - Right	1	1
19		1022878	Tube Support and Drive Link - Left	1	1
20		1022854	Screw, Slotted Head Shoulder (1/2 x 1-1/8")	1	1
21		10261X000	Acorn Nut (5/16"-24)	1	1
22		04528X002	Bracket, Release (Chrome)	1	1
23		1040831	Snap Ring	1	1
24		47328X003	Bushing, Pivot (5/16 x 7/16 x 7/8")	1	1
25		42326X004	Bar, Ratchet - Right/Left	1	1
26		1037485	Spring, Release	1	1
27		1037125	Cam, Legrest	1	1
28		1013519	Washer, Nylon (5/16 x 11/16 x 1/16")	1	1
29		1024911	Decal, Smartleg	1	1
30		1014807	Screw, Hex Head (5/16-24 x 3-1/4")	1	1
31		48823X008	Spring, Leaf	1	1
32		47328X003	Bushing, Pivot (5/16 x 7/16 x 7/8")	1	1
33		1025133	Spacer, Legrest Pad	1	1
34		04526X019	Plate, Legrest Pad	1	1
35		60264X001	Locknut (5/16-24)	1	1
36		1025104	Bracket, Legrest (Chrome)	1	1
37		11232X009	Screw, Lug (5/16-24 x 1-3/8")	1	1
38		1022848	Slide Tube, Articulating (Chrome) - Right	1	1

PHAL4A (Hemi) Articulating Legrest Supports Chrome

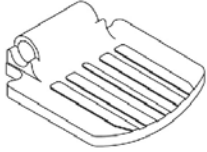
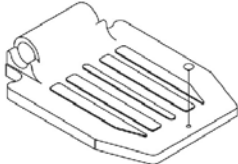
Item Number	Note	Part Number	Description	Quantity Per	
				Package	Assembly
38		1022849	Slide Tube, Articulating (Chrome) - Left	1	1
39		1027377	Washer (#20)	1	1
40		1107321	Nut, Low Cap (5/16"-24)	1	1
41	B,E,E1	1031437	Legrest Support Assembly, Articulating, Hemi, Chrome - Right	1	1
41	B,E,E1	1031438	Legrest Support Assembly, Articulating, Hemi, Chrome - Left	1	1
42	A,C	88804529X003	Pad, Legrest Vinyl - Right	1	1
42	A,C	88804529X004	Pad, Legrest Vinyl - Left	1	1
42	A,D	8881091764	Pad, Legrest Vinyl - Right/Left	1	1
43		1068649	Screws, Phillips Head (#10-32 x 11/16")	2	1
<p>NOTE: A - Specify upholstery color U67 black when ordering. B - Includes items 1-40 C - For 14"-15" wide seats D - For 16" wide seats E - Release Handle revised 10/25/06. When a complete Legrest Assembly item #41 or a Legrest Support Tube Assembly item #10 is ordered for chairs manufactured before 10/25/06, order the opposite side "Release Handle" item #3 to match. E1 - Both Release Handles pictured to identify the difference. Release Handle after 10/24/06 does not require a rubber tip F - Release Handle revised 10/25/06. For chairs manufactured before 10/25/06, order in pairs to match.</p>					

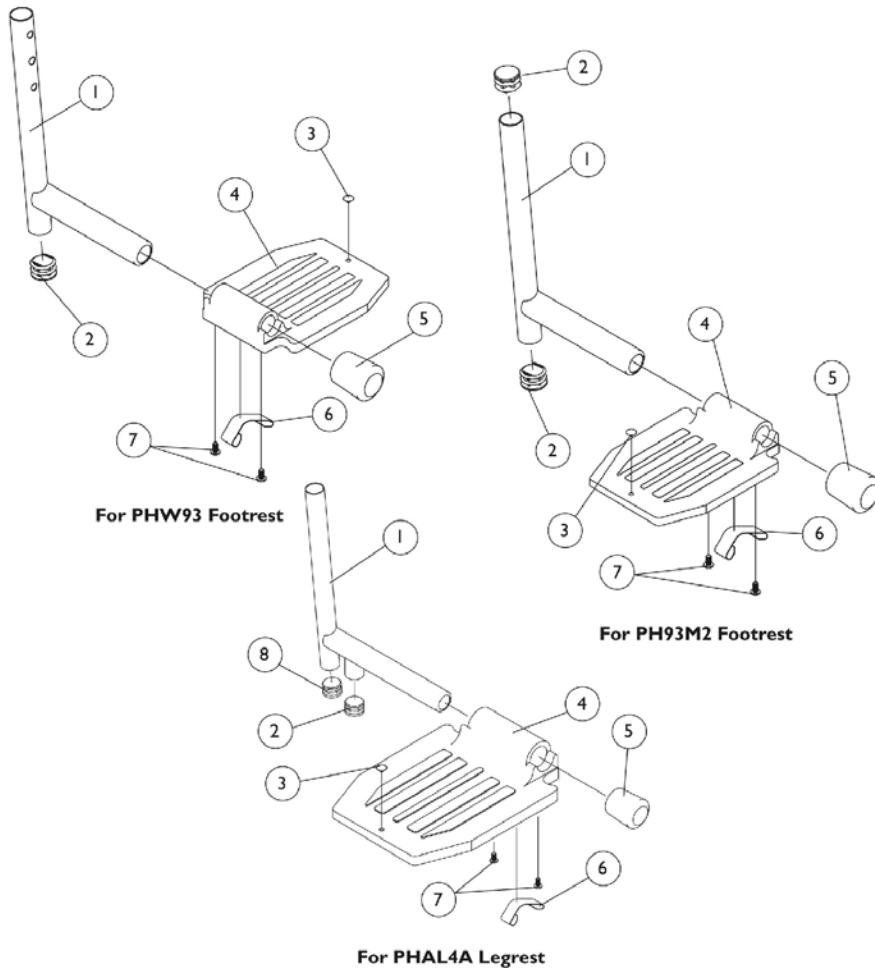
Pivot/Slide Tube and 1650 Standard Aluminum Footplate

For the Following Front Riggings: PHW93, PH93M2, PHAL4A

NOTE: Heel Loops are not included. See Footrest and Legrest Accessories page.

NOTE: For complete pivot/ slide tube and footplate assemblies, see Front Rigging Reference Chart page.

	
12"-15" Wide 1650 Standard Aluminum	16" Wide 1650 Standard Aluminum



Pivot/Slide Tube and 1650 Standard Aluminum Footplate

For the Following Front Riggings: PHW93, PH93M2, PHAL4A

NOTE: Heel Loops are not included. See Footrest and Legrest Accessories page.

NOTE: For complete pivot/ slide tube and footplate assemblies, see Front Rigging Reference Chart page.

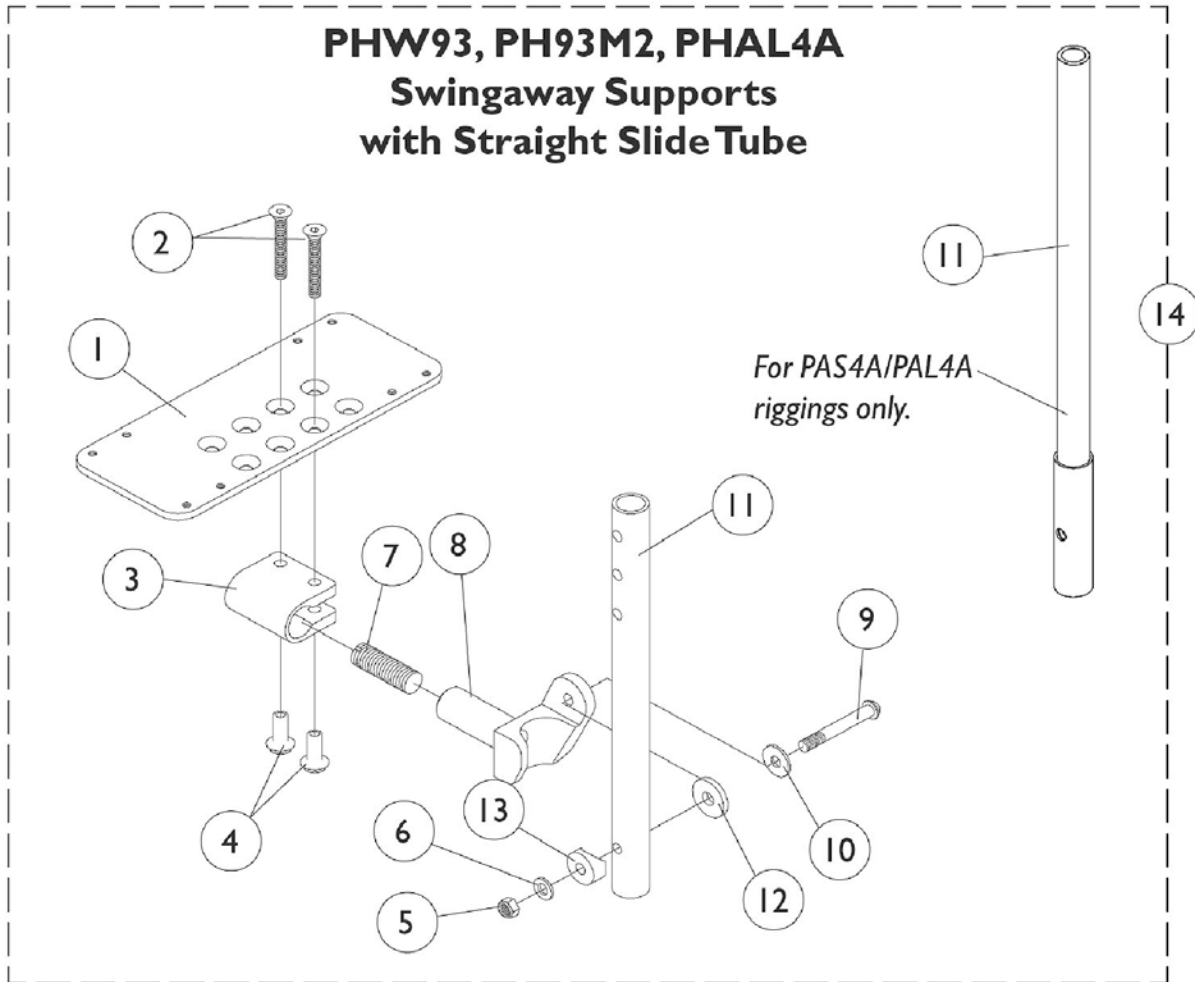
Item Number	Note	Part Number	Description	Quantity Per	
				Package	Assembly
1	A	1048834	Pivot/Slide Tube with Plug Button	1	1
1	B	1041527	Pivot/Slide Tube with Plug Button (Black)	1	1
1	C	1041526	Pivot/Slide Tube with Plug Button (Steel)	1	1
2	D	1027097	Plug Button, Black (3/4")	1	2
3		1070168	Push Plug, Footplate	1	1
4	E	44200X032	Footplate, Aluminum - Extra Small (5-3/4" W x 6" L)	1	1
4	F	44200X059	Footplate, Aluminum - Small (6-3/4" W x 6" L)	1	1
4	G	44200X027	Footplate, Aluminum - Medium (7-3/4" W x 6" L)	1	1
5		1016346	Cap, Tube End (7/8")	1	1
6		1006981	Spring, Leaf	1	1
7		40120X001	Screw, Phillips Pan Head (#8-32 x 3/8")	1	2
8		1018133	Plug Button, Black (5/8")	1	1

NOTE: A - For PHW93 Footrest
 B - For PH93M2 Footrest
 C - For PHAL4A Legrest
 D - PH93M2 Pivot/Slide tube uses a quantity of 2 plug buttons
 E - For 12"-13" wide seats
 F - For 14"-15" wide seats
 G - For 16" wide seats

Pivot/Slide Tube and Adjustable Angle Footplates AT5543

For the Following Front Riggings:
PHW93, PH93M2, PHAL4A

NOTE: Heel loops are not included. See Footrest and Legrest Accessories page.



Pivot/Slide Tube and Adjustable Angle Footplates AT5543

For the Following Front Riggings: PHW93, PH93M2, PHAL4A

NOTE: Heel loops are not included. See Footrest and Legrest Accessories page.

Item Number	Note	Part Number	Description	Quantity Per	
				Package	Assembly
1		1060426	Footplate, Adjustable Angle - Medium (4-1/4" W x 8" L)	1	1
1		1060427	Footplate, Adjustable Angle - Large (5-1/4" W x 8" L)	1	1
1		1062569	Footplate, Adjustable Angle - X-Large (6-1/4" W x 8" L)	1	1
2		1029545	Screw, Socket Head Cap (1/4-20 x 3/4")	1	2
3		1058517	Clamp, Footplate	1	1
4		1082686	Nut, Hex Head (1/4-20 x 11/16")	1	2
5		7930333	Locknut (1/4-20)	25	1
6		1026907	Washer (1/4 x 1/2 x 1/16")	1	1
7		1048816	Screw, Nylon Adjustment (1/2-13 x 7/8")	1	1
8		1052102	Hinge, Footplate - Right	1	1
8		1052103	Hinge, Footplate - Left	1	1
9		7930321	Screw, Socket Button Head (1/4-20 x 1-7/8")	25	1
10		1026900	Washer (1/4 x 23/32 x 1/16")	1	1
11	A	1057855	Pivot/Slide Tube, Straight (9-7/8" Long - Steel)	1	1
11	B	1120384-NLA	Pivot Slide Tube, Straight - Alum. (9-7/8" Long)	1	1
11	C	1091745	Pivot/Slide Tube, Straight (13-7/8" Long - Steel)	1	1
12		7930313	Washer, Nylon (5/16 x 7/8 x 1/8")	25	1
13		1025457	Spacer, Coved (1/4 x 3/4 x 11/32")	1	1
14		See Chart	Item #14 Pivot/ Slide Tube with Adjustable Angle Footplate Assemblies	1	1

NOTE: A - For PHW93 footrest
B - For PH93M2 footrest
C - For PHAL4A legrest

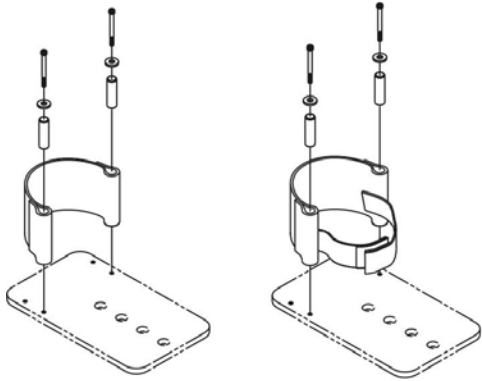
Item #14 Pivot/ Slide Tube with Adjustable Angle Footplate Assemblies

Rigging Type	Side	12-13" Wide 4-1/4" Medium Footplate	14-15" Wide 5-1/4" Large Footplate	16" Wide 6-1/4" X- Large Footplate
PHW93	Right	1060442	1060444	1062756
	Left	1060443	1060445	1062757
PH93M2	Right	1060430	1060432	1062572
	Left	1060431	1060433	1062573
PHAL4A	Right	N/A	1091775	1091777
	Left	N/A	1091776	1091778

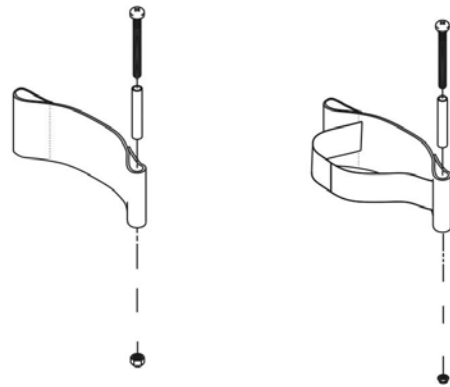
Pivot/Slide Tube and Adjustable Angle Footplates AT5543
For the Following Front Riggings:
PHW93, PH93M2, PHAL4A

NOTE: Heel loops are not included. See Footrest and Legrest Accessories page.

Footrest and Legrest Accessories



For AT5543 Footplates



For I650 Footplates

Footrest and Legrest Accessories

Heel Loops and Hardware For 1650 Standard Aluminum Footplates

Chair Width	Heel Loop Single #	Heel Loop Pair #	Attaching Hardware Pair #
12"-13" W	1028412	1035912	1035907
14"-15" W	1025234	1035905	1035907
16" W	1017621	1035917	1035907

Heel Loops w/ Ankle Straps and Hardware For 1650 Standard Aluminum Footplates

Chair Width	Heel Loop w/ Ankle Strap Single # Rt.	Heel Loop w/ Ankle Strap Single # Lt.	Heel Loop w/ Ankle Strap Pair #	Attaching Hardware Pair #
12"-14" W See Note(s) A	1035908	1035909	1035906	1035907
15"-16" W See Note(s) A	1035919	1035920	1035918	1035907
14"-15" W See Note(s) B	1035908	1035909	1035906	1035907
16" W See Note(s) B	1035919	1035920	1035918	1035907

NOTE: A - For PHW93 and PH93M2 footrest only
B - For PHAL4A articulating legrest only

Attaching Hardware Part Number For 1650 Standard Aluminum Footplates

Part Number	Part Number Consists of
1035907	2 each Screw, PPH (1/4-20 x 2-1/4") 2 each Spacer (1/4 x 11/32 x 1-3/4") 2 each Locknut (1/4-20)

Footrest and Legrest Accessories

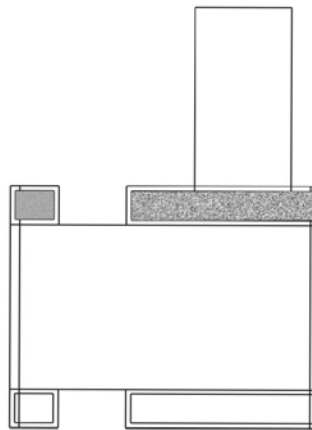
Heel Loops and Heel Loops w/ Ankle Straps For AT5543 Adj. Angle Footplates

Part Number	Part Number Consists of
1038245 Heel Loops w/ Hardware Adjustable Angle Footplate (Pair)	2 each Heel Loops 4 each Screw, SHC (10-32 x 1-1/2") 4 each Spacer (1/4 x 5/16 x 1-3/32") 4 each Washer (3/16 x 7/16 x 1/16")
1038246 Heel Loops w/ Ankle Straps & Hardware Adjustable Angle Footplate (Pair)	2 each Heel Loops w/ Ankle Straps 4 each Screw, SHC (10-32 x 1-1/2") 4 each Spacer (1/4 x 5/16 x 1-3/32") 4 each Washer (3/16 x 7/16 x 1/16")

Footrest and Legrest Accessories



Calf Strap



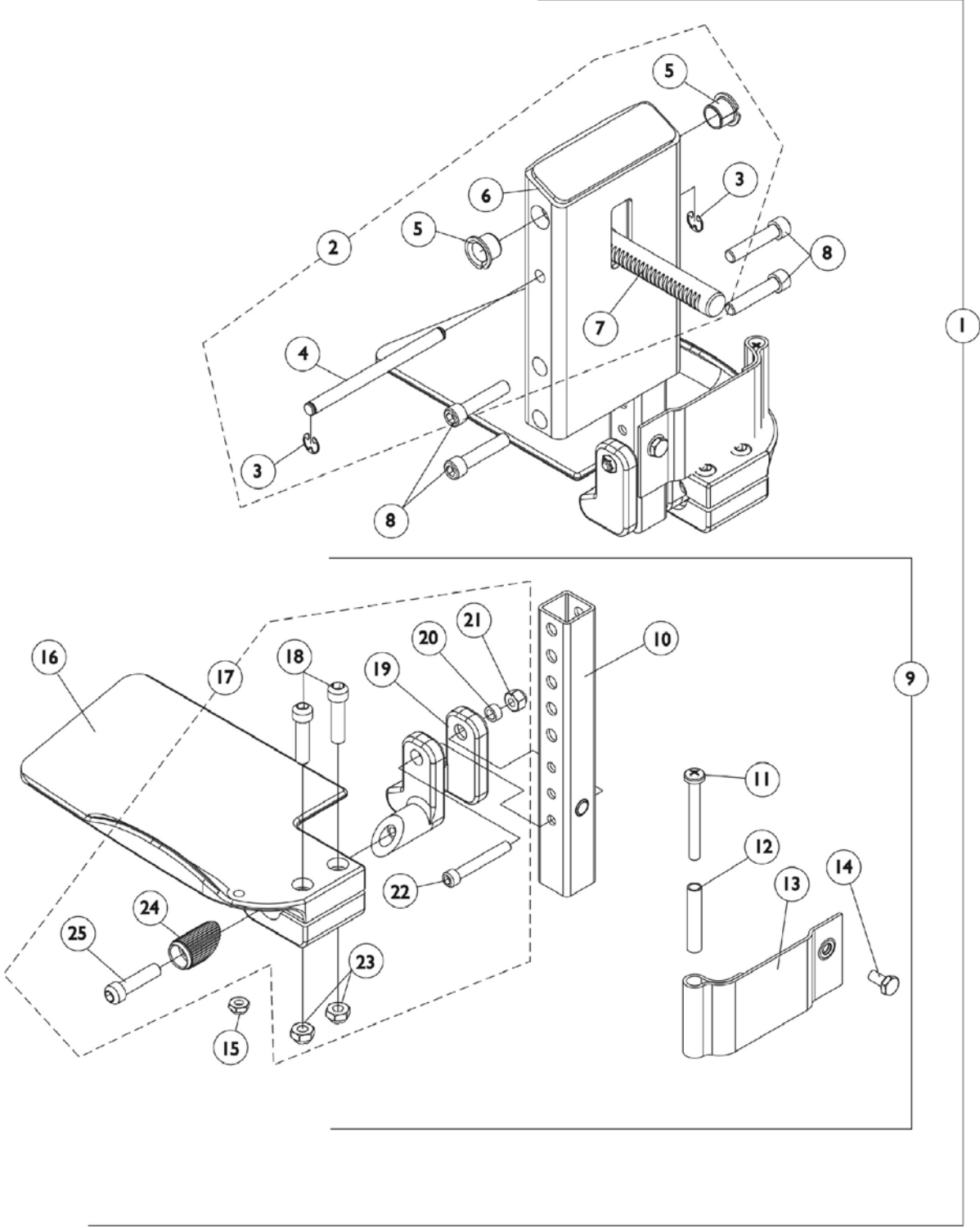
Impact Guard

Footrest and Legrest Accessories

Item Number	Note	Part Number	Description	Quantity Per	
				Package	Assembly
	A	1032243	Calf Strap w/ Hook and Loop (36" Long)	1	1
	A	1026987	Impact Guard, 8" Long	1	2
	A	See Chart	Attaching Hardware Part Number For 1650 Standard Aluminum Footplates	1	1
	A	See Chart	Heel Loops and Hardware For 1650 Standard Aluminum Footplates	1	1
	A	See Chart	Heel Loops and Heel Loops w/ Ankle Straps For AT5543 Adj. Angle Footplates	1	1
	A	See Chart	Heel Loops w/ Ankle Straps and Hardware For 1650 Standard Aluminum Footplates	1	1

NOTE: A - Not Shown

Front Rigging - Center Mount Rigging CTMTJ (CTMTJ = 9-1/4" - 12" Range)



Front Rigging - Center Mount Rigging CTMTJ (CTMTJ = 9-1/4" - 12" Range)

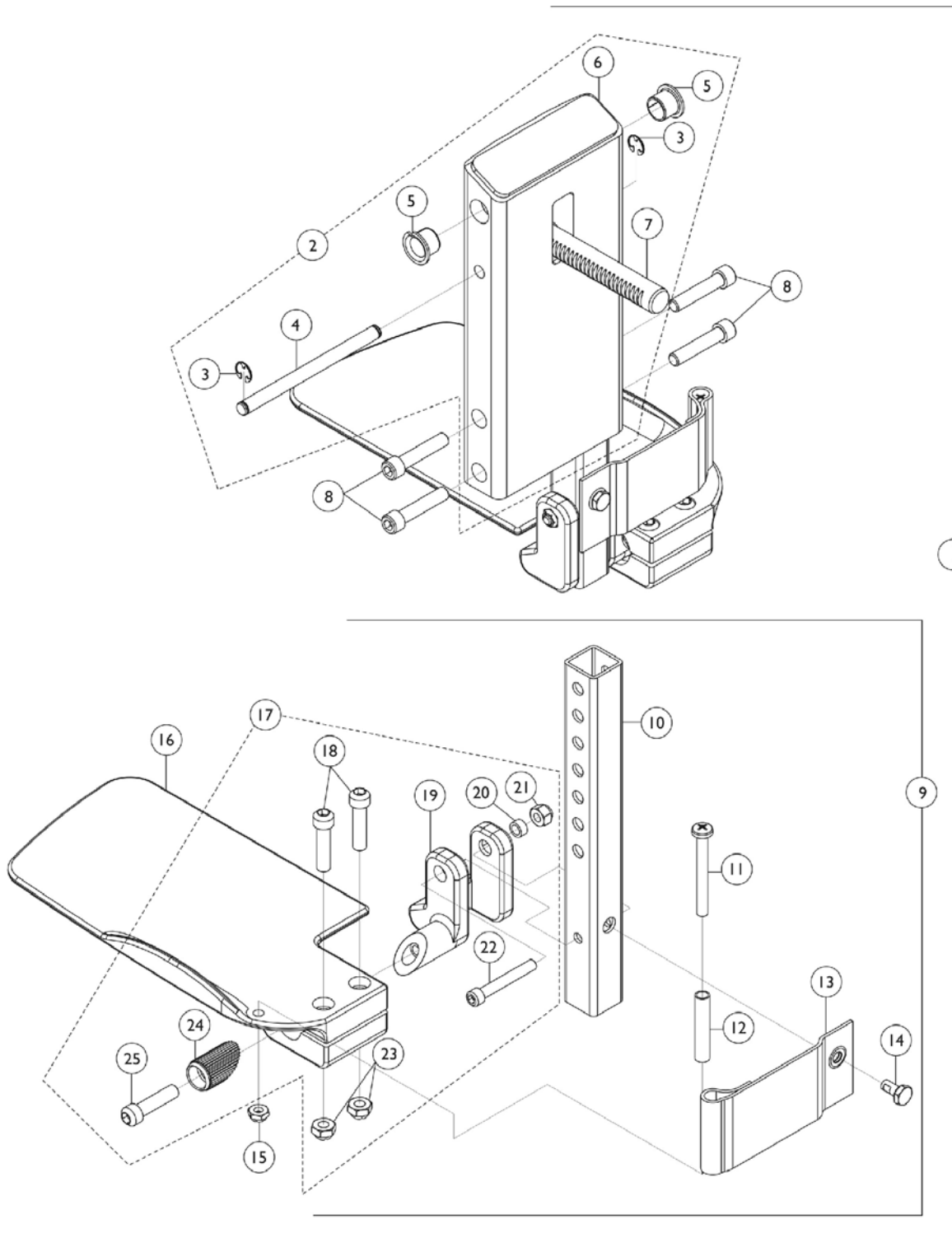
Item Number	Note	Part Number	Description	Quantity Per	
				Package	Assembly
1	A	1121990	Center Mount Rigging Assembly, Junior (CTMTJ/CTMT-FJ) ASBA/ADJASBA (9-1/4 - 12" Range)	1	1
2	B	1123021	Legrest Support Assembly, Center Mount, Junior, Black	1	1
3		1113376	Ring, Retainer (1/4 x 1/2 x 1/64")	1	2
4		1113373	Pin, Angle Adjustable A.S.B.A.	1	1
5		1110669	Bearing, Flanged (1/2 x 13/16 x 1/2")	1	2
6		1121984	Support, Junior Legrest (CTMTJ/CTMT-FJ)	1	1
7		1113372	Rack, Center Mount Rigging Angle Adjustable	1	1
8		1021344	Screw, Socket Head Cap (5/16-18 x 1-1/2")	1	4
9	C	1123042	Extension Tube and Footplate Assembly w/ Heel Loop, Junior - Right	1	1
9	C	1123043	Extension Tube and Footplate Assembly w/ Heel Loop, Junior - Left	1	1
10		1123044	Extension Tube, Footrest Short (CTMTJ/CTMT-FJ = 9-1/4" - 12" Range) (CTMT/CTMT-F = 12-1/4" - 15" Range) (PCTMT = 10" - 13" Range)	1	1
11		1021421	Screw, Phillips Pan Head (1/4-20 x 2-1/4")	1	2
12		1006477	Spacer (1/4 x 11/32 x 1-3/4")	1	2
13		1121996	Heel Loop, Center Mount Rigging	1	2
14		1078214	Screw, Hex Head Cap w/ Patch (1/4-20 x 1/2")	1	2
15		1025195	Locknut (1/4-20)	1	2
16	E	1121988	Footplate CTMTJ/CTMT-FJ (5-1/4" W x 8-13/16" L) - Right	1	1
16	E	1121989	Footplate CTMTJ/CTMT-FJ (5-1/4" W x 8-13/16" L) - Left	1	1
17	D	1120345	Center Mount Rigging Footplate Mounting Hardware - Right	1	1
17	D	1121123	Center Mount Rigging Footplate Mounting Hardware - Left	1	1
18		1021343	Screw, Socket Head Cap (5/16-18 x 1-1/4")	1	2
19		1113384	Hinge, Adjustable Angle - Right	1	1
19		1113385	Hinge, Adjustable Angle - Left	1	1
20		1047449	Spacer (1/4 x 3/8 x 3/16")	1	1
21		1065362	Locknut (1/4-28)	1	1
22		1096810	Screw, Socket Head (1/4-28 x 1-3/4")	1	1
23		1108122	Locknut (5/16-18)	1	2
24		1113530	Hinge Attachment	1	1
25		1021343	Screw, Socket Head Cap (5/16-18 x 1-1/4")	1	1

Front Rigging - Center Mount Rigging CTMTJ (CTMTJ = 9-1/4" - 12" Range)

NOTE: A - Includes items 2, 8 & 9
B - Includes items 3-7
C - Includes items 10-16 & 17
D - Includes items 18-25
E - Item #16 - Footplate design revised 2/28/07 to accommodate items 18 & 23. Replace footplates in pairs and order new footplate hardware for chairs mfg. before 2/28/07.

Front Rigging - Center Mount Rigging (CTMT)

(CTMT = 12-1/4" - 15" Range)

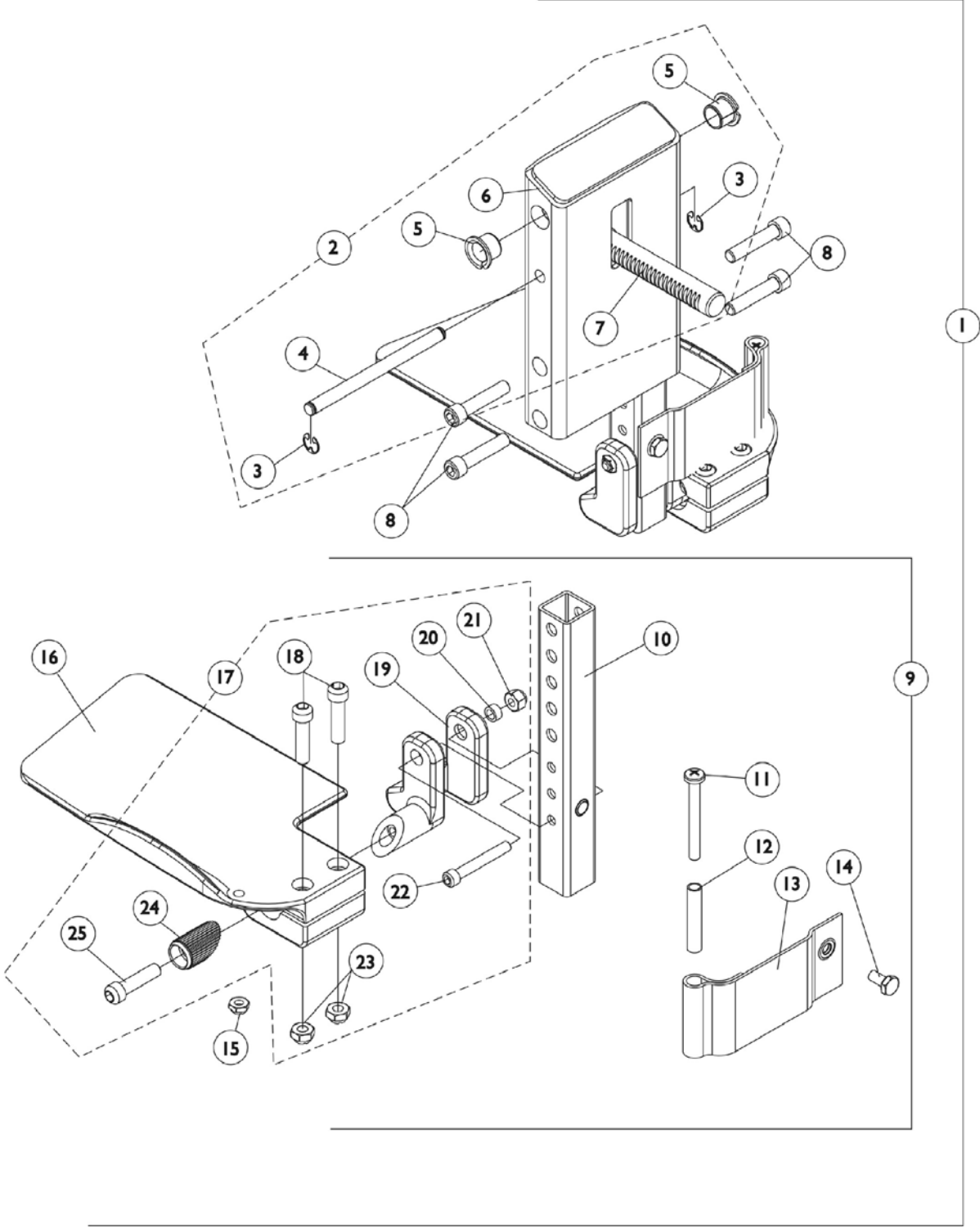


Front Rigging - Center Mount Rigging (CTMT) (CTMT = 12-1/4" - 15" Range)

Item Number	Note	Part Number	Description	Quantity Per	
				Package	Assembly
1	A	1117262	Center Mount Rigging Assembly (CTMT) (CTMT-F), ASBA/ADJASBA (12-1/4 - 15" Range)	1	1
2	B	1120346	Legrest Support Assembly, Center Mount, Black	1	1
3		1113376	Ring, Retainer (1/4 x 1/2 x 1/64")	1	2
4		1113373	Pin, Angle Adjustable A.S.B.A.	1	1
5		1110669	Bearing, Flanged (1/2 x 13/16 x 1/2")	1	2
6		1113609	Support, Center Mount Rigging Legrest	1	1
7		1113372	Rack, Center Mount Rigging Angle Adjustable	1	1
8		1021344	Screw, Socket Head Cap (5/16-18 x 1-1/2")	1	4
9		C	1123034	Extension Tube and Footplate Assembly with Heel Loop, Short - Right	1
9	C	1123035	Extension Tube and Footplate Assembly with Heel Loop, Short - Left	1	1
10		1123044	Extension Tube, Footrest Short (CTMTJ/CTMT-FJ = 9-1/4" - 12" Range) (CTMT/CTMT-F = 12-1/4" - 15" Range) (PCTMT = 10" - 13" Range)	1	1
11		1021421	Screw, Phillips Pan Head (1/4-20 x 2-1/4")	1	2
12		1006477	Spacer (1/4 x 11/32 x 1-3/4")	1	2
13		1121996	Heel Loop, Center Mount Rigging	1	2
14		1078214	Screw, Hex Head Cap w/ Patch (1/4-20 x 1/2")	1	2
15		1025195	Locknut (1/4-20)	1	2
16	E	1113606	Footplate, Center Mount Rigging - Right (5-1/4" W x 9-5/8" L)	1	1
16	E	1113607	Footplate, Center Mount Rigging - Left (5-1/4" W x 9-5/8" L)	1	1
17	D	1120345	Center Mount Rigging Footplate Mounting Hardware - Right	1	1
17	D	1121123	Center Mount Rigging Footplate Mounting Hardware - Left	1	1
18		1021343	Screw, Socket Head Cap (5/16-18 x 1-1/4")	1	2
19		1113384	Hinge, Adjustable Angle - Right	1	1
19		1113385	Hinge, Adjustable Angle - Left	1	1
20		1047449	Spacer (1/4 x 3/8 x 3/16")	1	1
21		1065362	Locknut (1/4-28)	1	1
22		1096810	Screw, Socket Head (1/4-28 x 1-3/4")	1	1
23		1108122	Locknut (5/16-18)	1	2
24		1113530	Hinge Attachment	1	1
25		1021343	Screw, Socket Head Cap (5/16-18 x 1-1/4")	1	1

NOTE: A - Includes items 2, 8 & 9
B - Includes items 3-7
C - Includes items 10-16 & 17
D - Includes items 18-25
E - Item #16 - Footplate design revised 2/28/07 to accommodate items 18 & 23. Replace footplates in pairs and order new footplate hardware for chairs mfg. before 2/28/07.

Front Rigging - Center Mount Rigging CTMTJ (CTMTJ = 9-1/4" - 12" Range)



Front Rigging - Center Mount Rigging CTMTJ (CTMTJ = 9-1/4" - 12" Range)

Item Number	Note	Part Number	Description	Quantity Per	
				Package	Assembly
1	A	1121990	Center Mount Rigging Assembly, Junior (CTMTJ/CTMT-FJ) ASBA/ADJASBA (9-1/4 - 12" Range)	1	1
2	B	1123021	Legrest Support Assembly, Center Mount, Junior, Black	1	1
3		1113376	Ring, Retainer (1/4 x 1/2 x 1/64")	1	2
4		1113373	Pin, Angle Adjustable A.S.B.A.	1	1
5		1110669	Bearing, Flanged (1/2 x 13/16 x 1/2")	1	2
6		1121984	Support, Junior Legrest (CTMTJ/CTMT-FJ)	1	1
7		1113372	Rack, Center Mount Rigging Angle Adjustable	1	1
8		1021344	Screw, Socket Head Cap (5/16-18 x 1-1/2")	1	4
9	C	1123042	Extension Tube and Footplate Assembly w/ Heel Loop, Junior - Right	1	1
9	C	1123043	Extension Tube and Footplate Assembly w/ Heel Loop, Junior - Left	1	1
10		1123044	Extension Tube, Footrest Short (CTMTJ/CTMT-FJ = 9-1/4" - 12" Range) (CTMT/CTMT-F = 12-1/4" - 15" Range) (PCTMT = 10" - 13" Range)	1	1
11		1021421	Screw, Phillips Pan Head (1/4-20 x 2-1/4")	1	2
12		1006477	Spacer (1/4 x 11/32 x 1-3/4")	1	2
13		1121996	Heel Loop, Center Mount Rigging	1	2
14		1078214	Screw, Hex Head Cap w/ Patch (1/4-20 x 1/2")	1	2
15		1025195	Locknut (1/4-20)	1	2
16	E	1121988	Footplate CTMTJ/CTMT-FJ (5-1/4" W x 8-13/16" L) - Right	1	1
16	E	1121989	Footplate CTMTJ/CTMT-FJ (5-1/4" W x 8-13/16" L) - Left	1	1
17	D	1120345	Center Mount Rigging Footplate Mounting Hardware - Right	1	1
17	D	1121123	Center Mount Rigging Footplate Mounting Hardware - Left	1	1
18		1021343	Screw, Socket Head Cap (5/16-18 x 1-1/4")	1	2
19		1113384	Hinge, Adjustable Angle - Right	1	1
19		1113385	Hinge, Adjustable Angle - Left	1	1
20		1047449	Spacer (1/4 x 3/8 x 3/16")	1	1
21		1065362	Locknut (1/4-28)	1	1
22		1096810	Screw, Socket Head (1/4-28 x 1-3/4")	1	1
23		1108122	Locknut (5/16-18)	1	2
24		1113530	Hinge Attachment	1	1
25		1021343	Screw, Socket Head Cap (5/16-18 x 1-1/4")	1	1

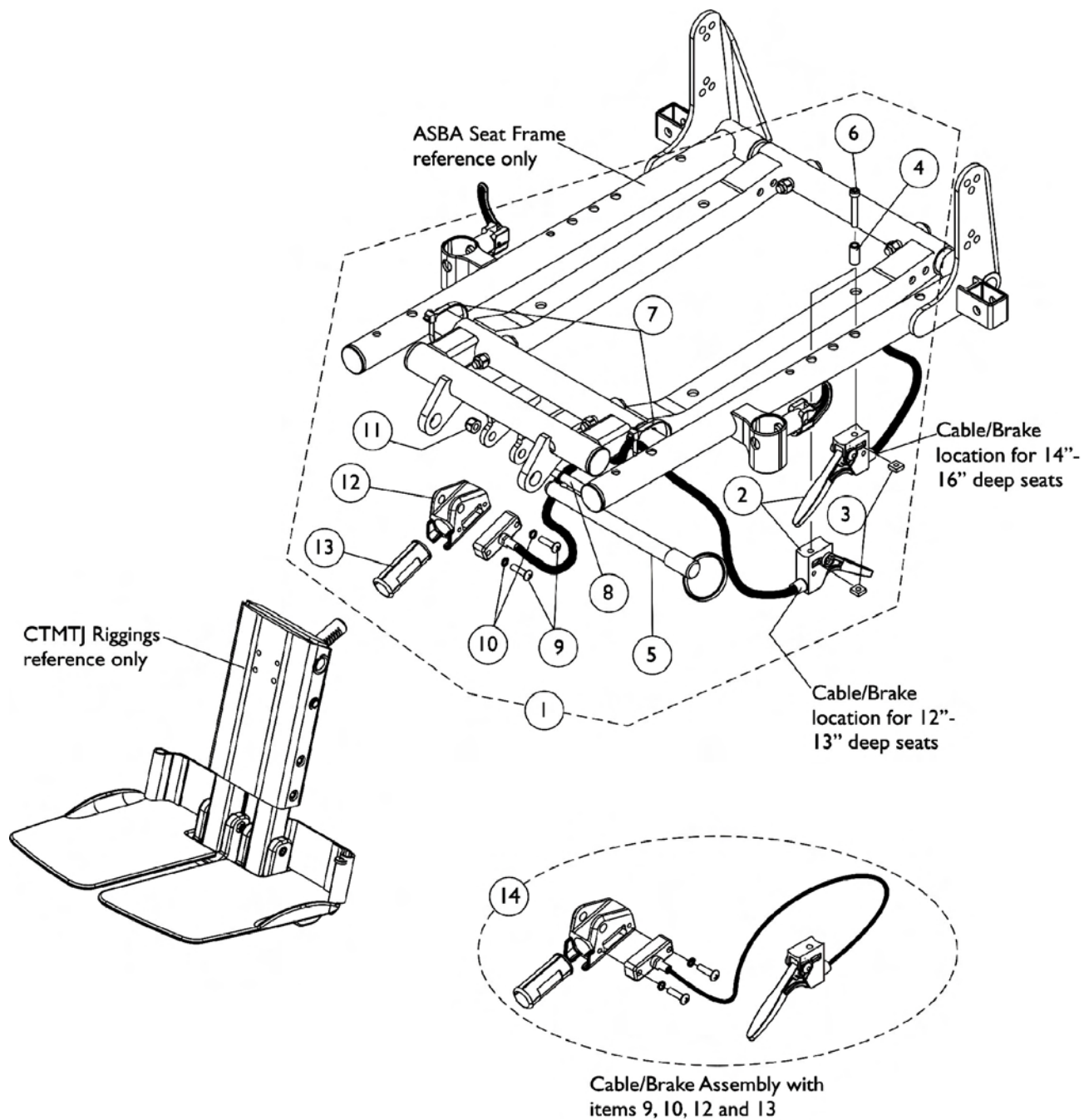
Front Rigging - Center Mount Rigging CTMTJ (CTMTJ = 9-1/4" - 12" Range)

NOTE: A - Includes items 2, 8 & 9
B - Includes items 3-7
C - Includes items 10-16 & 17
D - Includes items 18-25
E - Item #16 - Footplate design revised 2/28/07 to accommodate items 18 & 23. Replace footplates in pairs and order new footplate hardware for chairs mfg. before 2/28/07.

Center Mount Rigging Mounting Hardware (CTMTJ and CTMT)

Before 10/27/04

NOTE: All Center Mount Riggings before 10/27/04 use the same mounting hardware.



Center Mount Rigging Mounting Hardware (CTMTJ and CTMT) Before 10/27/04

NOTE: All Center Mount Riggings before 10/27/04 use the same mounting hardware.

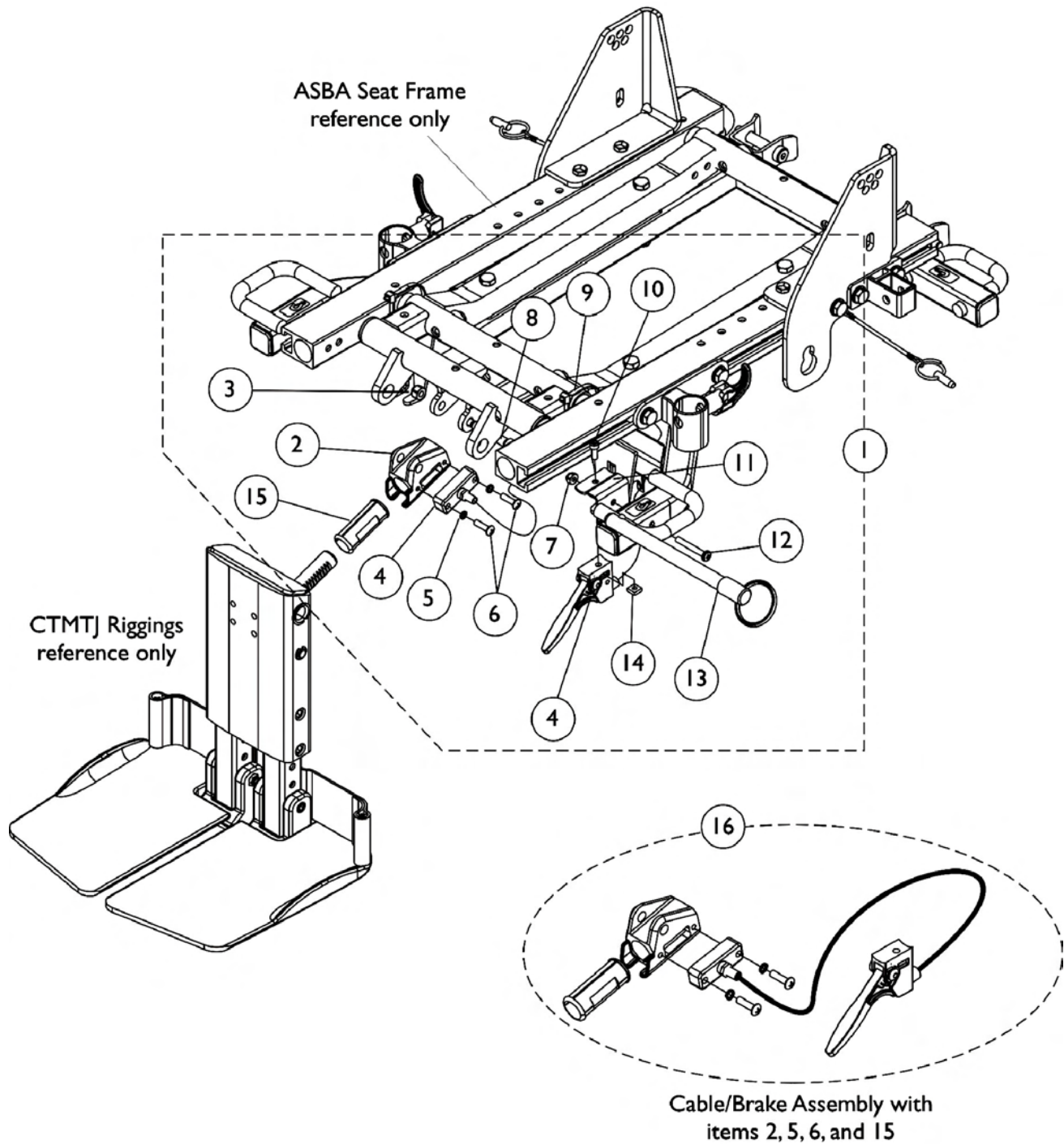
Item Number	Note	Part Number	Description	Quantity Per	
				Package	Assembly
1	A,C	1117264	Kit, Center Mount Rigging Mounting Hardware	1	1
2			Cable/Brake Assembly	1	1
3			Nut, Square (#10-32)	1	1
4			Spacer (5/16 x 3/16 x 3/4")	1	1
5			Pin, Quick Release (5" Long)	1	1
6			Screw, Socket Head (#10-32 x 1-1/4")	1	1
7			Cable Tie (11-1/2" Long)	1	2
8			Screw, Socket Head Shoulder (5/16 x 1-5/8")	1	1
9			Screw, Phillips Pan Head (#10-32 x 11/16")	1	2
10			Washer, Lock (3/16 x 5/16 x 1/16")	1	2
11			Locknut (1/4-20)	1	1
12			Housing, Ratchet	1	1
13			Bearing, Glide	1	2
14	B	1121079	Cable/Brake Assembly with Ratchet Housing and Glide Bearing	1	1

NOTE: A - Includes items 2-13
 B - Includes Cable Assembly and items 9,10,12, and 13
 C - Ratchet Housing Material changed from aluminum to steel as of 1/8/04

Center Mount Rigging Mounting Hardware (CTMTJ and CTMT)

After 10/26/04

NOTE: All Center Mount Riggings after 10/26/04 use the same mounting hardware.



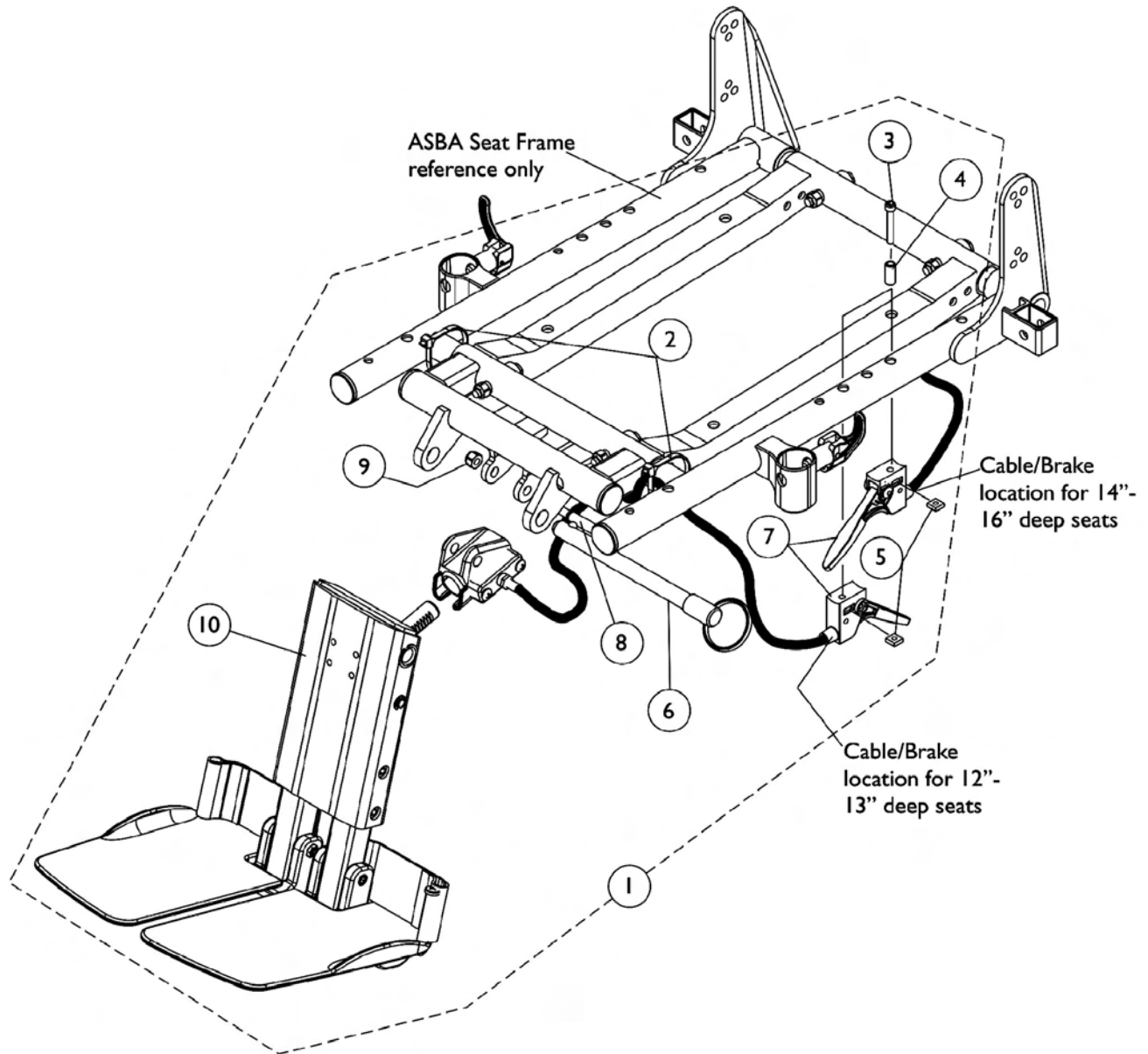
Center Mount Rigging Mounting Hardware (CTMTJ and CTMT) After 10/26/04

NOTE: All Center Mount Riggings after 10/26/04 use the same mounting hardware.

Item Number	Note	Part Number	Description	Quantity Per	
				Package	Assembly
1	A	1127160	Kit, Center Mount Rigging Mounting Hardware	1	1
2		1113389	Housing, Ratchet	1	1
3		1025736	Locknut (1/4-20)	1	1
4		1113622	Cable/Brake Assembly	1	1
5		10141X012	Washer, Lock (3/16 x 5/16 x 1/16")	1	2
6		40163X008	Screw, Phillips Pan Head (#10-32 x 11/16")	1	2
7		1025731	Locknut (#10-32)	1	1
8		1071736	Screw, Socket Head Shoulder (5/16 x 1-5/8")	1	1
9		1095502	Package, Cable Ties (11-1/2" Long)	10	1
10		1056087	Screw, Socket Head (#10-32 x 1/2")	1	1
11		1127161	Bracket, Cable Release Mounting	1	1
12		1026107	Screw, Phillips Pan Head (#10-32 x 1-3/8")	1	1
13		1113375	Pin, Quick Release (5" Long)	1	1
14		1086207	Nut, Square (#10-32)	1	1
15		1113383	Bearing, Glide	1	2
16	B	1121079	Cable/Brake Assembly with Ratchet Housing and Glide Bearing	1	1

NOTE: A - Includes items 2-15
B - Includes Cable Assembly and items 2,5,6, and 15

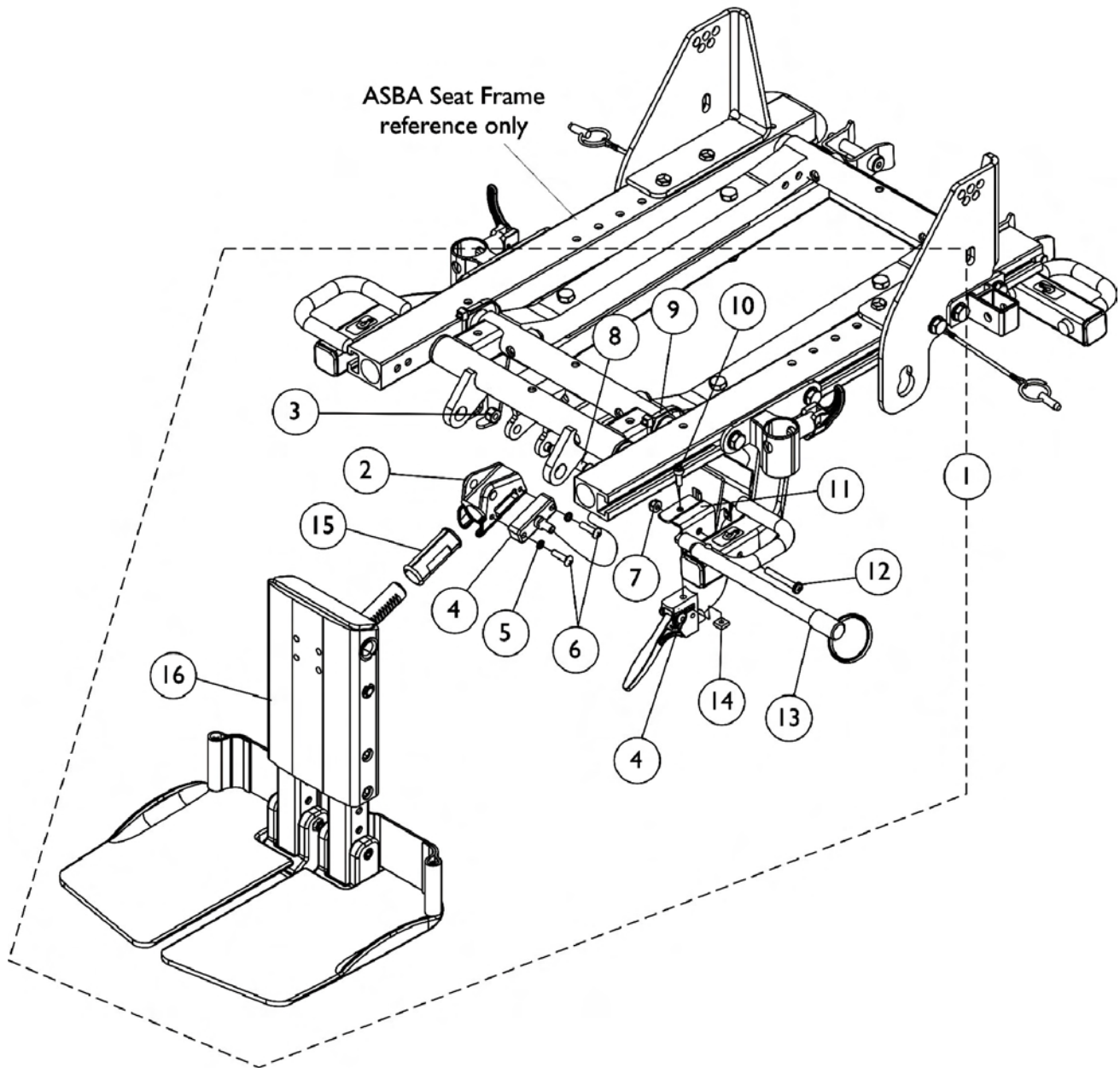
Front Rigging - Center Mount Rigging Kit (CTMTJ and CTMT) Before 10/27/04



Front Rigging - Center Mount Rigging Kit (CTMTJ and CTMT) Before 10/27/04

Item Number	Note	Part Number	Description	Quantity Per	
				Package	Assembly
1	A,B	1123022	Kit, Adjustable Length Junior Center Mount Rigging (9-1/4"-12")	1	1
2			Cable Tie (11-1/2" Long)	1	2
3			Screw, Socket Head (#10-32 x 1-1/4")	1	1
4			Spacer (5/16 x 3/16 x 3/4")	1	1
5			Nut, Square (#10-32)	1	1
6			Pin, Quick Release (5" Long)	1	1
7			Cable/Brake Assembly with Ratchet Housing and Glide Bearing	1	1
8			Screw, Socket Head Shoulder (5/16 x 1-5/8")	1	1
9			Locknut (1/4-20)	1	1
10			Center Mount Rigging Assembly, Junior (CTMTJ/CTMT-FJ) ASBA/ADJASBA (9-1/4 - 12" Range)	1	1
			Instruction Sheet, Center Mount Rigging Kit	1	1
1	A,B	1121009	Kit, Adjustable Length Center Mount Rigging A.S.B.A. Short (12-1/4"-15")	1	1
2			Cable Tie (11-1/2" Long)	1	2
3			Screw, Socket Head (#10-32 x 1-1/4")	1	1
4			Spacer (5/16 x 3/16 x 3/4")	1	1
5			Nut, Square (#10-32)	1	1
6			Pin, Quick Release (5" Long)	1	1
7			Cable/Brake Assembly with Ratchet Housing and Glide Bearing	1	1
8			Screw, Socket Head Shoulder (5/16 x 1-5/8")	1	1
9			Locknut (1/4-20)	1	1
10			Center Mount Rigging Assembly (CTMT) (CTMT-F), ASBA/ADJASBA (12-1/4 - 15" Range)	1	1
			Instruction Sheet, Center Mount Rigging Kit	1	1
NOTE: A - Includes items 2-10 and instruction sheet B - Instruction Sheet Not Shown					

Front Rigging - Center Mount Rigging Kit (CTMTJ and CTMT) After 10/26/04



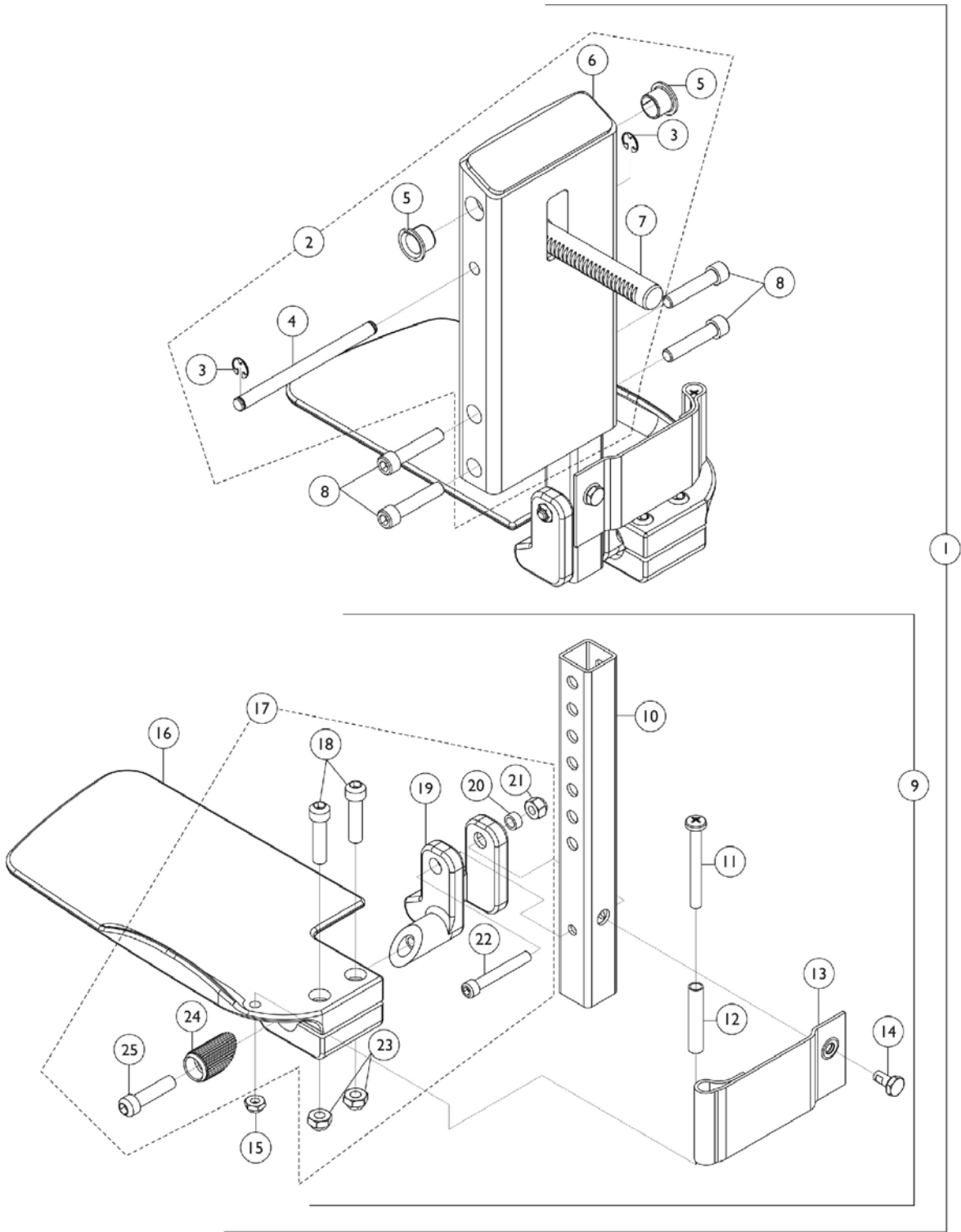
Front Rigging - Center Mount Rigging Kit (CTMTJ and CTMT) After 10/26/04

Item Number	Note	Part Number	Description	Quantity Per	
				Package	Assembly
1	A	1129462	Kit, Adjustable Length Junior Center Mount Rigging (9-1/4-12")	1	1
1	A	1129461	Kit, Adjustable Length Center Mount Rigging (12-1/4-15")	1	1
2		1113389	Housing, Ratchet	1	1
3		1025736	Locknut (1/4-20)	1	1
4		1113622	Cable/Brake Assembly	1	1
5		10141X012	Washer, Lock (3/16 x 5/16 x 1/16")	1	2
6		40163X008	Screw, Phillips Pan Head (#10-32 x 11/16")	1	2
7		1025731	Locknut (#10-32)	1	1
8		1071736	Screw, Socket Head Shoulder (5/16 x 1-5/8")	1	1
9		1095502	Package, Cable Ties (11-1/2" Long)	10	1
10		1056087	Screw, Socket Head (#10-32 x 1/2")	1	1
11		1127161	Bracket, Cable Release Mounting	1	1
12		1026107	Screw, Phillips Pan Head (#10-32 x 1-3/8")	1	1
13		1113375	Pin, Quick Release (5" Long)	1	1
14		1086207	Nut, Square (#10-32)	1	1
15		1113383	Bearing, Glide	1	2
16		1121990	Center Mount Rigging Assembly, Junior (CTMTJ/CTMT-FJ) ASBA/ADJASBA (9-1/4 - 12" Range)	1	1
16		1117262	Center Mount Rigging Assembly (CTMT) (CTMT-F), ASBA/ADJASBA (12-1/4 - 15" Range)	1	1
	B	1118368	Instruction Sheet, Center Mount Rigging Kit	1	1

NOTE: A - Includes items 2-16 plus instruction sheet
B - Not Shown

Front Rigging - Center Mount Rigging (CTMT/CTMT-L)

(CTMT = 12-1/4" - 15" Range) & (CTMT-L = 16" - 18-3/4" Range)



Front Rigging - Center Mount Rigging (CTMT/CTMT-L) (CTMT = 12-1/4" - 15" Range) & (CTMT-L = 16" - 18-3/4" Range)

Item Number	Note	Part Number	Description	Quantity Per	
				Package	Assembly
1	A	1117262	Center Mount Rigging Assembly (CTMT) (CTMT-F), ASBA/ADJASBA (12-1/4 - 15" Range)	1	1
1	A	1117263	Center Mount Rigging (CTMT-L) (CTMT-FL), ASBA/ADJASBA (16" - 18-3/4" Range)	1	1
2	B	1120346	Legrest Support Assembly, Center Mount, Black	1	1
3		1113376	Ring, Retainer (1/4 x 1/2 x 1/64")	1	2
4		1113373	Pin, Angle Adjustable A.S.B.A.	1	1
5		1110669	Bearing, Flanged (1/2 x 13/16 x 1/2")	1	2
6		1113609	Support, Center Mount Rigging Legrest	1	1
7		1113372	Rack, Center Mount Rigging Angle Adjustable	1	1
8		1021344	Screw, Socket Head Cap (5/16-18 x 1-1/2")	1	4
9	C	1123034	Extension Tube and Footplate Assembly with Heel Loop, Short - Right	1	1
9	C	1123035	Extension Tube and Footplate Assembly with Heel Loop, Short - Left	1	1
9	C	1123036	Extension Tube and Footplate Assembly with Heel Loop, Long - Right	1	1
9	C	1123037	Extension Tube and Footplate Assembly with Heel Loop, Long - Left	1	1
10		1123044	Extension Tube, Footrest Short (CTMTJ/CTMT-FJ = 9-1/4" - 12" Range) (CTMT/CTMT-F = 12-1/4" - 15" Range) (PCTMT = 10" - 13" Range)	1	1
10		1123045	Extension Tube, Footrest Long (CTMT-L/CTMT-FL = 16" - 18-3/4" Range) (PCTMT-L = 14" - 17" Range)	1	1
11		1021421	Screw, Phillips Pan Head (1/4-20 x 2-1/4")	1	2
12		1006477	Spacer (1/4 x 11/32 x 1-3/4")	1	2
13		1121996	Heel Loop, Center Mount Rigging	1	2
14		1078214	Screw, Hex Head Cap w/ Patch (1/4-20 x 1/2")	1	2
15		1025195	Locknut (1/4-20)	1	2
16	E	1113606	Footplate, Center Mount Rigging - Right (5-1/4" W x 9-5/8" L)	1	1
16	E	1113607	Footplate, Center Mount Rigging - Left (5-1/4" W x 9-5/8" L)	1	1
17	D	1120345	Center Mount Rigging Footplate Mounting Hardware - Right	1	1
17	D	1121123	Center Mount Rigging Footplate Mounting Hardware - Left	1	1
18		1021343	Screw, Socket Head Cap (5/16-18 x 1-1/4")	1	2
19		1113384	Hinge, Adjustable Angle - Right	1	1
19		1113385	Hinge, Adjustable Angle - Left	1	1
20		1047449	Spacer (1/4 x 3/8 x 3/16")	1	1
21		1065362	Locknut (1/4-28)	1	1
22		1096810	Screw, Socket Head (1/4-28 x 1-3/4")	1	1

Front Rigging - Center Mount Rigging (CTMT/CTMT-L) (CTMT = 12-1/4" - 15" Range) & (CTMT-L = 16" - 18-3/4" Range)

Item Number	Note	Part Number	Description	Quantity Per	
				Package	Assembly
23		1108122	Locknut (5/16-18)	1	2
24		1113530	Hinge Attachment	1	1
25		1021343	Screw, Socket Head Cap (5/16-18 x 1-1/4")	1	1
NOTE: A - Includes items 2, 8 & 9 B - Includes items 3-7 C - Includes items 10-16 & 17 D - Includes items 18-25 E - Item #16 - Footplate design revised 2/28/07 to accommodate items 18 & 23. Replace footplates in pairs and order new footplate hardware for chairs mfg. before 2/28/07.					

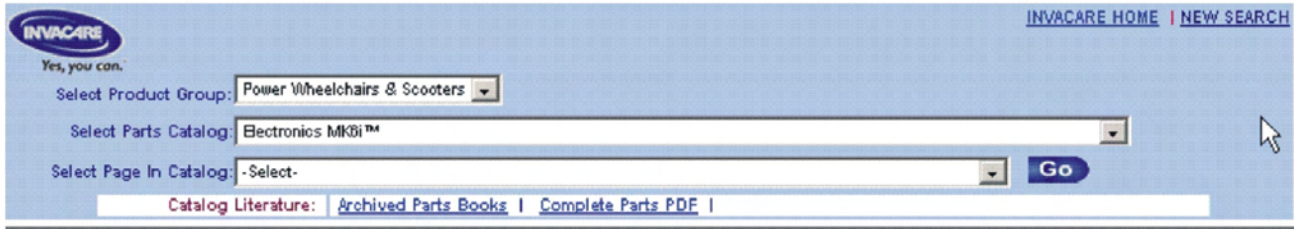
MK6i Electronics are contained in a separate catalog. See Catalog titled "Electronics MK6i" Form # 06-110.

If you are looking for **MK6i™ Electronics** introduced to the Pronto® M71™ jr. with SureStep™ on or about 10/16/06

The parts catalog information is now divided into two separate catalogs.

Web Page

The MK6i™ Electronics information can be found on the Invacare web page by selecting “Electronics MK6i™” in the “Select Parts Catalog” drop down

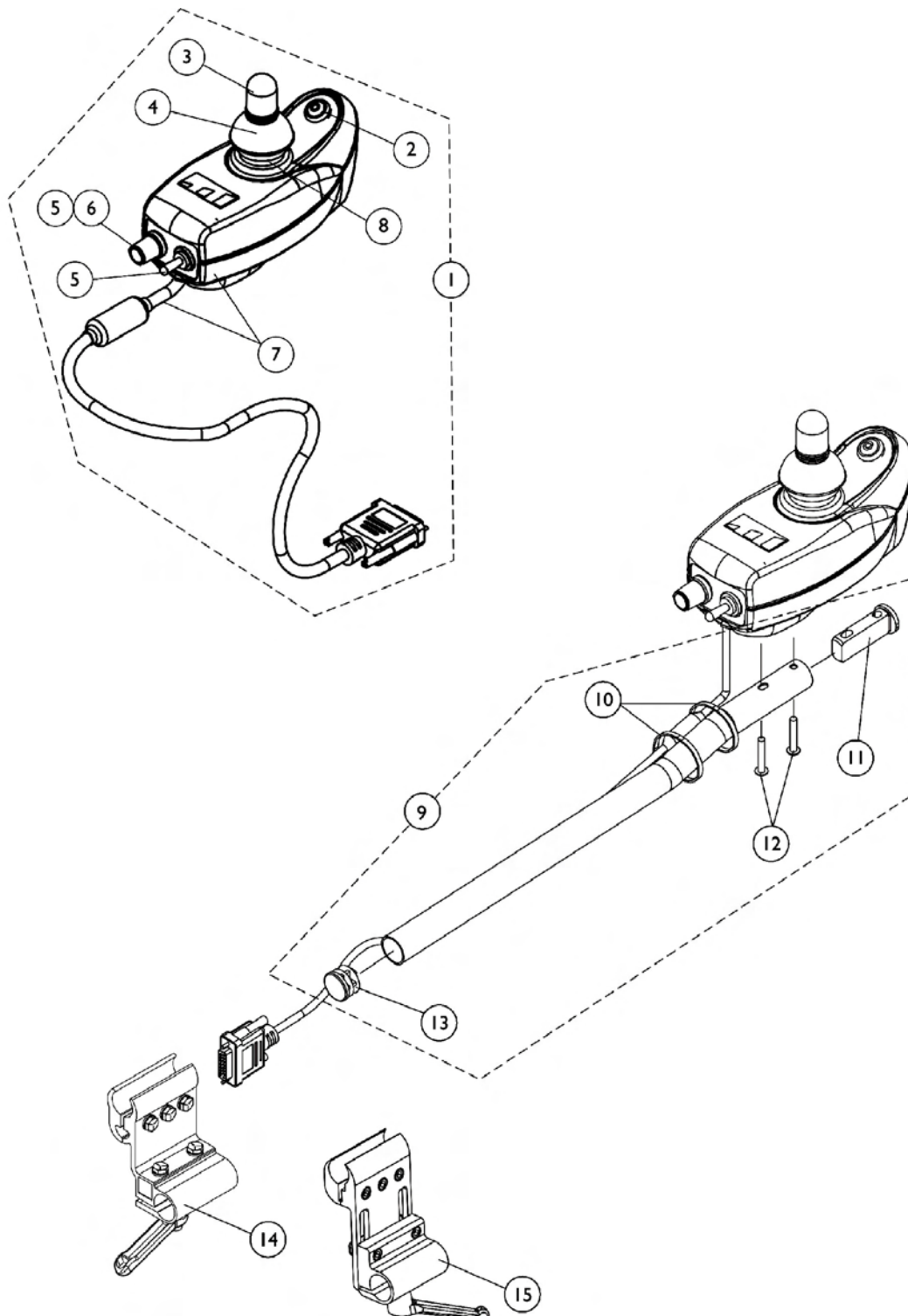


The screenshot shows the Invacare website's product selection interface. At the top left is the Invacare logo with the tagline "Yes, you can." and the slogan "INVACARE HOME | NEW SEARCH" at the top right. Below the logo, there are three dropdown menus: "Select Product Group:" with "Power Wheelchairs & Scooters" selected, "Select Parts Catalog:" with "Electronics MK6i™" selected, and "Select Page In Catalog:" with "-Select-" selected. A blue "Go" button is to the right of the third dropdown. At the bottom, there is a link for "Catalog Literature:" with sub-links for "Archived Parts Books" and "Complete Parts PDF".

Printed Catalog

The MK6i™ Electronics information can be found in printed copy at our Literature Fulfillment Center listed under form # 06-110 and titled “MK6i™ Electronics”.

MK5 DPJ Joystick and Mounting Hardware



MK5 DPJ Joystick and Mounting Hardware

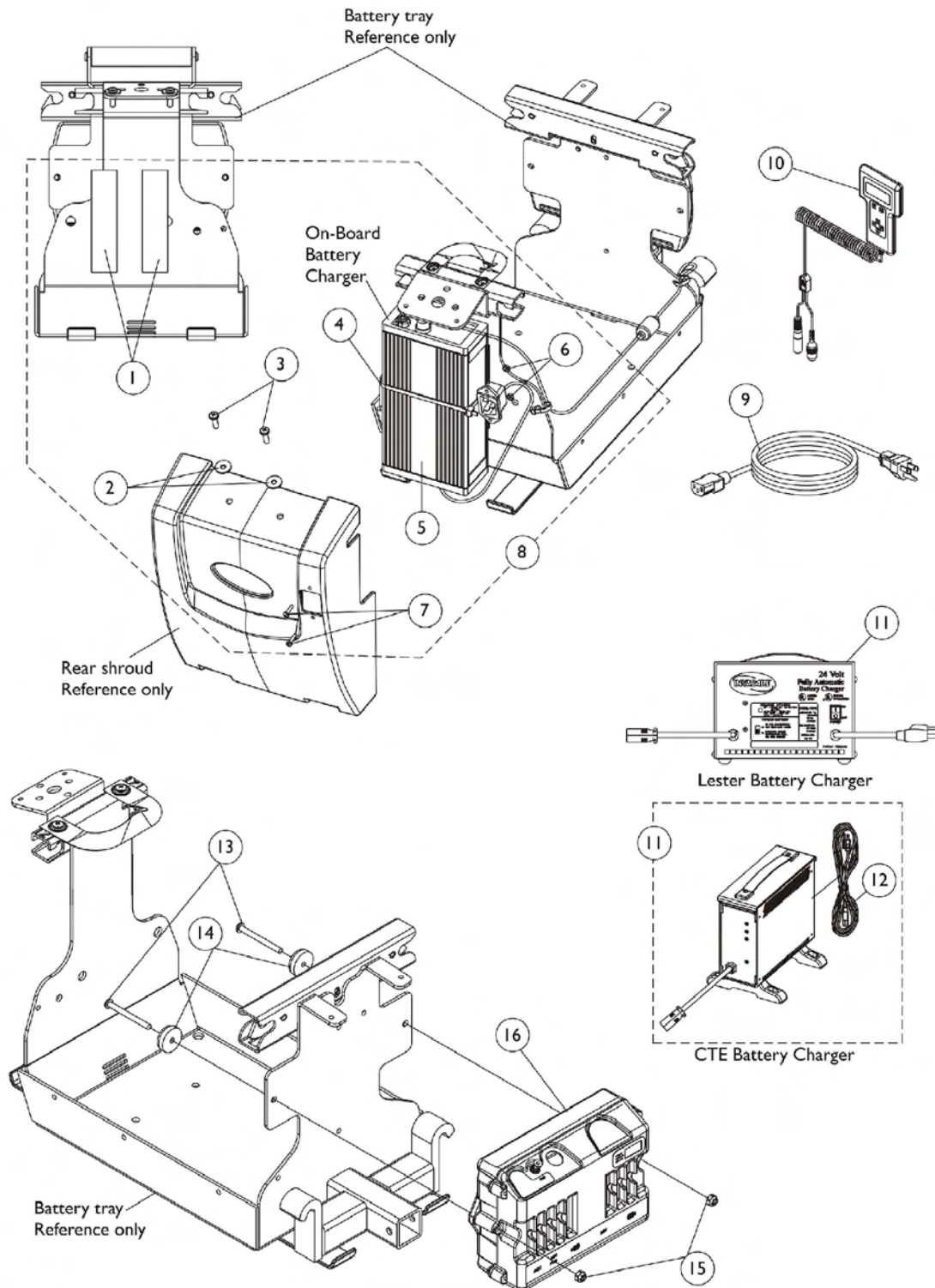
Item Number	Note	Part Number	Description	Quantity Per	
				Package	Assembly
1	A	1112980	Joystick Assembly, MK5 DPJ	1	1
2		1119441	Switch Assembly, Mode	1	1
3		1040217	Knob, Joystick	1	1
4		1040218	Skirt, Joystick	1	1
5		1025516	Knob, Speed Control	1	1
6		1119440	Switch Assembly, Power/ Drive Select/Speed Potentiometer NOTE:Power/Drive Select and Speed Potentiometer switches are assembled to one connector and sold as one assembly	1	1
7		1119443	Bottom Housing w/ Cable Assembly, MK5 DPJ/ SPJ-80	1	1
8		1115235	Inductive, MK5 MPJ/ DPJ/ SPJ-80 Joystick	1	1
9	B	1093069	Kit, 1/2" Offset Joystick Tube with Hardware	1	1
10		1095502	Package, Cable Ties (11-1/2" Long)	10	2
11		1093063	Spacer, Joystick Tube	1	1
12		1025714	Screw, Phillips Pan Head (#10-32 x 1-1/8")	1	2
13		1027095	Plug Button, Black (7/8")	1	1
14	E	1093071	Clamp, Fixed Height Joystick Tube	1	1
15	D,E	1139422	Clamp, Height Adjustable Joystick Tube (ARM250)	1	1
	C	1006270	Joystick Extension - "T" Style (1560) (4" Wide x 5-1/2" Long)	1	1
	C	1006271	Joystick Extension - Straight Style (1561) (1/2" Wide x 5" Long)	1	1
NOTE: A - Includes items 2-8 B - Includes items 10-13 C - Not Shown D - Introduced 10/31/05 as option (ARM250) and can be used to replace a Fixed Height Joystick Clamp in the field E - Individual components are non-saleable					

MK5 MPJ Joystick and Mounting Hardware

Item Number	Note	Part Number	Description	Quantity Per	
				Package	Assembly
1	A	1115740	Joystick Assembly, MK5 MPJ	1	1
1	A	1122214	Joystick Assembly, MK5 MPJ with Drive Select Port	1	1
2		1117038	Joystick Bottom and Cable Assembly, MK5 MPJ	1	1
3		1115235	Inductive, MK5 MPJ/ DPJ/ SPJ-80 Joystick	1	1
4		1040218	Skirt, Joystick	1	1
5		1040217	Knob, Joystick	1	1
6		1115237	Switch Assembly, Power/ Drive Select MK5 MPJ	1	1
7		1115214	Knob, Power/ Drive Select MK5/MK6i MPJ	1	1
8		1115239	Potentiometer Assembly, Speed MK5 MPJ	1	1
9		1115233-NLA	Knob, Speed Potentiometer MK5 MPJ	1	1
9		1139998	Knob, Speed Potentiometer MK6i	1	1
10		1095497	Decal, Invacare Logo	1	1
11		1008834	Lockwasher, Internal Tooth (#6)	1	2
12		1115242	Screw, Torx Thread Forming (#6-32 x 1/2")	1	2
13		1115503	Bracket, T-Nut Mounting	1	1
14		1115244	Screw, Torx Thread Forming (#6-32 x 1")	1	2
15	B	1115860	1/2" Offset Tube with Hardware, Joystick	1	1
16		1095502	Package, Cable Ties (11-1/2" Long)	10	2
17		40157X019	Spacer, Coved (1/4 x 7/8 x 7/16")	1	2
18		1117216	T-Nut (#10-32)	1	2
19		1093063	Spacer, Joystick Tube	1	1
20		1026107	Screw, Phillips Pan Head (#10-32 x 1-3/8")	1	2
21		1027095	Plug Button, Black (7/8")	1	1
22		1093071	Clamp, Fixed Height Joystick Tube	1	1
23	D	1139422	Clamp, Height Adjustable Joystick Tube (ARM250)	1	1
	C	1006270	Joystick Extension - "T" Style (1560) (4" Wide x 5-1/2" Long)	1	1
	C	1006271	Joystick Extension - Straight Style (1561) (1/2" Wide x 5" Long)	1	1

NOTE: A - Includes items 2-14
 B - Includes items 16-21
 C - Not Shown
 D - Introduced 10/31/05 as option (ARM250) and can be used to replace a Fixed Height Joystick Clamp in the field

MK5 EX Controller, Programmer and Battery Charger

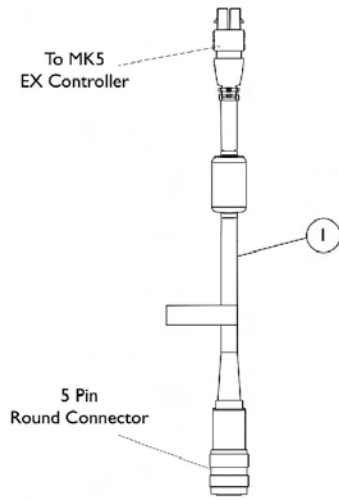


MK5 EX Controller, Programmer and Battery Charger

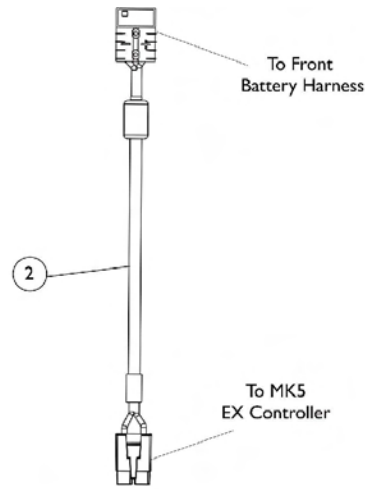
Item Number	Note	Part Number	Description	Quantity Per	
				Package	Assembly
1		1095507	Fastener, Hook & Loop Adhesive (2" Wide x 12" Long)	1	2
2		1070587	Washer, Flat (3/16 x 5/8 x 1/16")	1	2
3		1028755	Screw, Phillips Pan Head (#10-32 x 5/8")	1	2
4		1095502	Package, Cable Ties (11-1/2" Long)	10	2
5		1122285	Battery Charger with Power Cord 3 Amp. (On-Board)	1	1
6		P0870X000	Nut, Hex Keys (#4-40)	1	2
7		1021742	Screw, Phillips Pan Head (#4-40 x 1/2")	1	2
8	A	1122286	Kit, Battery Charger with Hardware - 3 Amp. (On-Board)	1	1
9		1121086	Cord, AC Power Line 115VAC (3-prong on-board 6'6-1/2"L)	1	1
10		1109091	Programmer, Remote	1	1
11	C	1053161	Battery Charger, 8 Amp. 115vac (Off Board) Dual Mode Round Plug, Lester	1	1
11	B,C	1123249	Battery Charger, 8 Amp. 115vac (Off Board) Single Mode Round Plug w/ AC Power Line Cord, CTE Corp.	1	1
12		1089627	Cord, AC Power Line 115vac (2-prong off-board 11'6"L)	1	1
13		1121493	Screw, Socket Button Head (10-32 x 2")	1	2
14		1109471	Bumper with Washer	1	2
15		1025731	Locknut (#10-32)	1	2
16		1115750	Controller, MK5 EX	1	1

NOTE: A - Includes items 1-7
 B - CTE charger introduced 4/1/04. Used on Gel Cell or AGM (Absorbed Glass Mat) batteries. For wet cell batteries refer to the Lester charger.
 C - Lester and the CTE battery chargers are optional on-chair

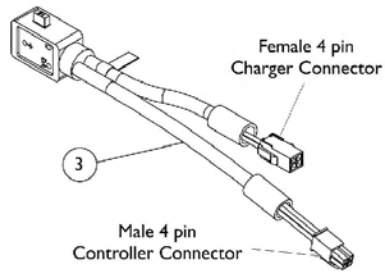
MK5 Controller Cables



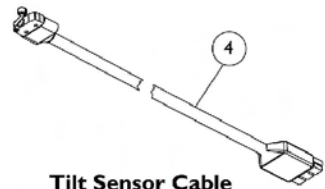
MK5 EX Controller Option Cable



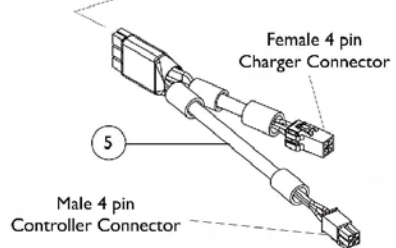
Battery Extension Cable



Power Option Cable



Tilt Sensor Cable



Tilt Sensor Splitter Cable

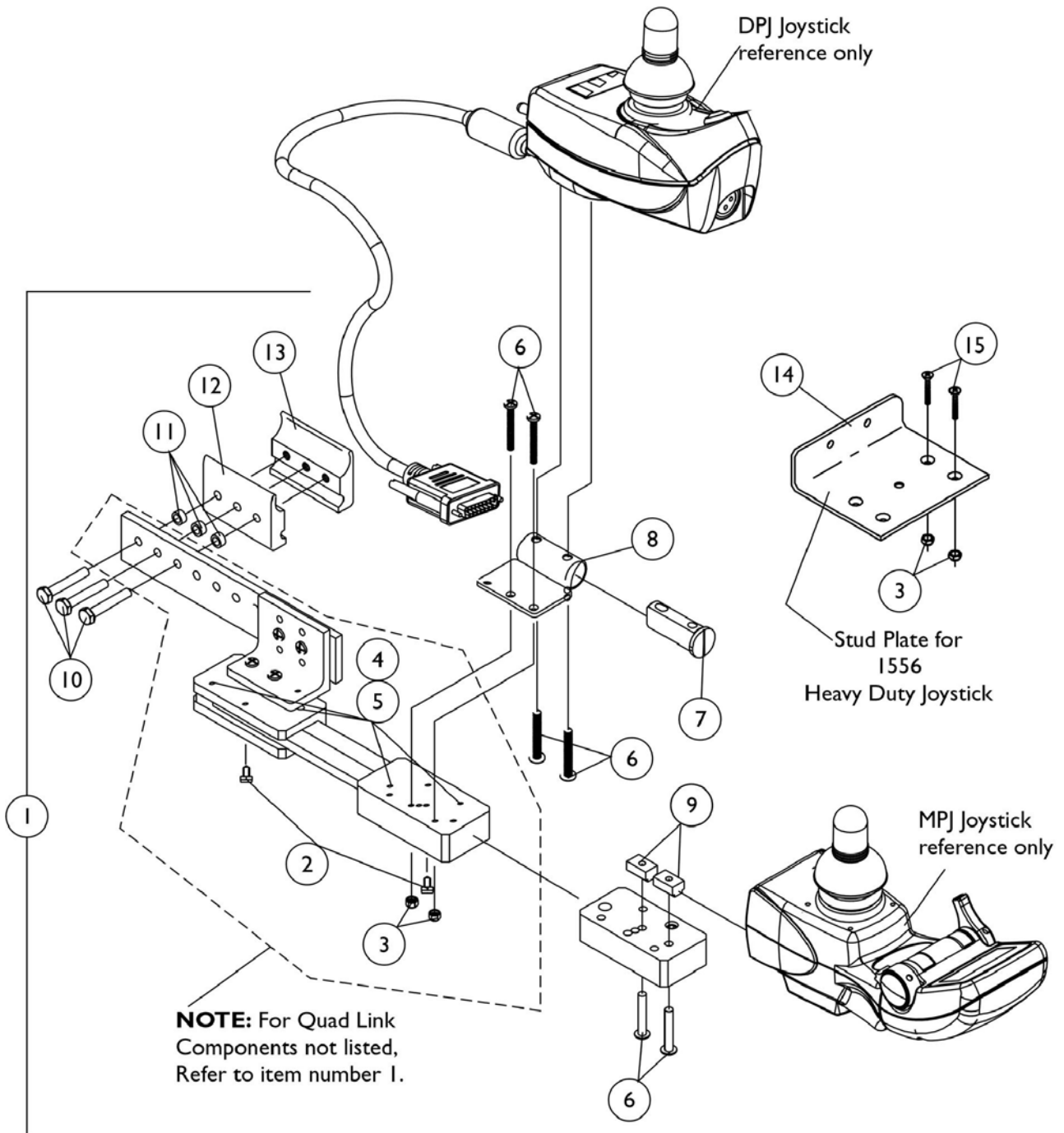
MK5 Controller Cables

Item Number	Note	Part Number	Description	Quantity Per	
				Package	Assembly
1	A	1118231	Cable, MK5 EX Controller Option	1	1
2		1122199	Cable, Battery Extension (100 Amp.) (Red Connector)	1	1
3	B	1123923	Cable, Power Option (MK5 EX Controller)	1	1
4	C	1126122	Cable, Tilt Sensor	1	1
5	C	1126123	Cable, Tilt Sensor Splitter	1	1

NOTE: A - The 5 pin connector attaches to MKIV joystick options.
 B - Power Option Cable comes standard on chairs with MK5 EX controller.
 C - Items 4 and 5 are used in conjunction with each other.

Quad Link Assembly

Before 10/31/05



Quad Link Assembly Before 10/31/05

Item Number	Note	Part Number	Description	Quantity Per	
				Package	Assembly
1	A	1052402	Kit, Quad Link Assembly - Right	1	1
2			Ball Plunger with Lock Washer Assembly	2	1
3			Locknut (#10-32)	1	2
4			Screw, Socket Head (#10-32 x 1/2")	1	4
5			Bushing, Bronze (3/16 x 1/4 x 1/4")	1	4
6			Screw, Phillips Pan Head (#10-32 x 1-1/8")	1	4
7			Spacer, Joystick Tube	1	1
8			Stud Plate, Quad Link	1	1
10			Screw, Hex Head (1/4-20 x 1-1/2")	1	3
11			Spacer (1/4 x 3/8 x 3/16")	1	3
12			Half Clamp, Non-Threaded Holes	1	1
13			Half Clamp, Threaded Holes	1	1
1	A	1115372	Kit, Quad Link Assembly - Left	1	1
2			Ball Plunger with Lock Washer Assembly	2	1
3			Locknut (#10-32)	1	2
4			Screw, Socket Head (#10-32 x 1/2")	1	4
5			Bushing, Bronze (3/16 x 1/4 x 1/4")	1	4
6			Screw, Phillips Pan Head (#10-32 x 1-1/8")	1	4
7			Spacer, Joystick Tube	1	1
8			Stud Plate, Quad Link	1	1
10			Screw, Hex Head (1/4-20 x 1-1/2")	1	3
11			Spacer (1/4 x 3/8 x 3/16")	1	3
12			Half Clamp, Non-Threaded Holes	1	1
13			Half Clamp, Threaded Holes	1	1
1	B	1117278	Kit, Quad Link Assembly - Right	1	1
2			Ball Plunger with Lock Washer Assembly	2	1
3			Locknut (#10-32)	1	2
4			Screw, Socket Head (#10-32 x 1/2")	1	4
5			Bushing, Bronze (3/16 x 1/4 x 1/4")	1	4
6			Screw, Phillips Pan Head (#10-32 x 1-1/8")	1	2
9			T-Nut (#10-32)	1	2
10			Screw, Hex Head (1/4-20 x 1-1/2")	1	3
11			Spacer (1/4 x 3/8 x 3/16")	1	3
12			Half Clamp, Non-Threaded Holes	1	1
13			Half Clamp, Threaded Holes	1	1
1	B	1117239	Kit, Quad Link Assembly - Left	1	1
2			Ball Plunger with Lock Washer Assembly	2	1
3			Locknut (#10-32)	1	2
4			Screw, Socket Head (#10-32 x 1/2")	1	4
5			Bushing, Bronze (3/16 x 1/4 x 1/4")	1	4
6			Screw, Phillips Pan Head (#10-32 x 1-1/8")	1	2
9			T-Nut (#10-32)	1	2
10			Screw, Hex Head (1/4-20 x 1-1/2")	1	3

Quad Link Assembly Before 10/31/05

Item Number	Note	Part Number	Description	Quantity Per	
				Package	Assembly
11			Spacer (1/4 x 3/8 x 3/16")	1	3
12			Half Clamp, Non-Threaded Holes	1	1
13			Half Clamp, Threaded Holes	1	1
1	C	1034703-NLA	Kit, Quad Link Assembly - Right	1	1
2			Ball Plunger with Lock Washer Assembly	2	1
3			Locknut (#10-32)	1	2
4			Screw, Socket Head (#10-32 x 1/2")	1	4
5			Bushing, Bronze (3/16 x 1/4 x 1/4")	1	4
10			Screw, Hex Head (1/4-20 x 1-1/2")	1	3
11			Spacer (1/4 x 3/8 x 3/16")	1	3
12			Half Clamp, Non-Threaded Holes	1	1
13			Half Clamp, Threaded Holes	1	1
14			Stud Plate, Quad Link For 1556 Heavy Duty Joystick	1	1
15			Screw, Phillips Flat Head Countersunk (#10-32 x 1-1/8")	1	2
1	C	1114866	Kit, Quad Link Assembly - Left	1	1
2			Ball Plunger with Lock Washer Assembly	2	1
3			Locknut (#10-32)	1	2
4			Screw, Socket Head (#10-32 x 1/2")	1	4
5			Bushing, Bronze (3/16 x 1/4 x 1/4")	1	4
10			Screw, Hex Head (1/4-20 x 1-1/2")	1	3
11			Spacer (1/4 x 3/8 x 3/16")	1	3
12			Half Clamp, Non-Threaded Holes	1	1
13			Half Clamp, Threaded Holes	1	1
14			Stud Plate, Quad Link For 1556 Heavy Duty Joystick	1	1
15			Screw, Phillips Flat Head Countersunk (#10-32 x 1-1/8")	1	2
2		1114863	Ball Plunger with Lock Washer Assembly	2	1
NOTE: A - Includes the Quad Link, items 2-8, 10-13 and used with a DPJ joystick B - Includes the Quad Link, items 2-6, 9-13 and used with a MPJ joystick C - includes the Quad Link, items 2-5, 10-15 and used with a 1556 Heavy Duty joystick					

Quad Link (QLA)

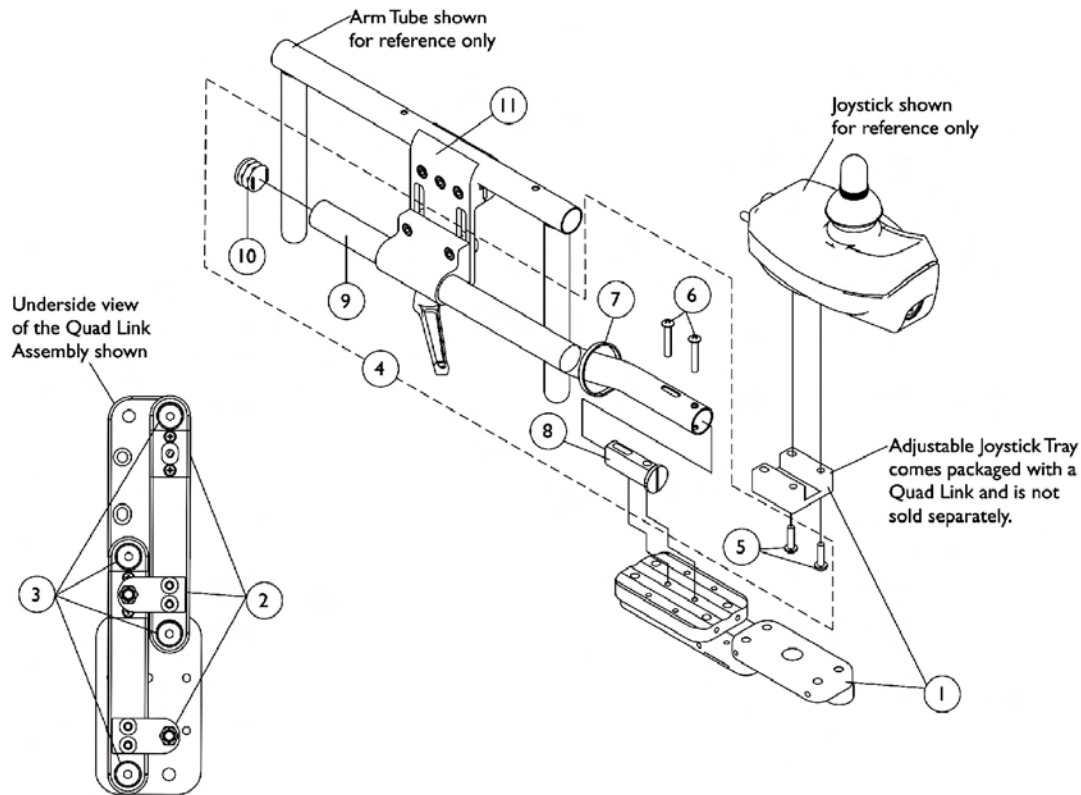
After 10/30/05

NOTE: Quad Link Mounting Hardware (item 4), a Quad Link (item 1) and Height Adjustable Joystick Clamp (item 11) must be ordered when:

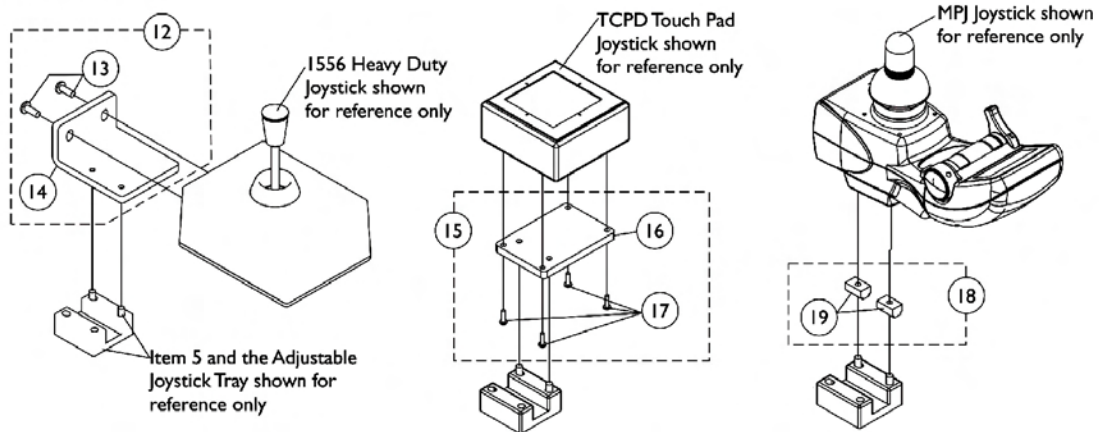
a) Converting an old style Quad Link that attaches to a mounting plate.

b) Flex joystick tube or Touch Pad joystick tube was used.

Substitute (item 4) with 2 each of the Phillips Pan Head Screws (item 5) when an offset joystick tube is currently on the chair. Additional joystick mounting hardware must be ordered when a 1556 Heavy Duty, TCPD Touch Pad or MPJ joystick is used.



Screw Fastener and Quad Link Latch Hardware



Quad Link (QLA)

After 10/30/05

NOTE: Quad Link Mounting Hardware (item 4), a Quad Link (item 1) and Height Adjustable Joystick Clamp (item 11) must be ordered when:

a) Converting an old style Quad Link that attaches to a mounting plate.

b) Flex joystick tube or Touch Pad joystick tube was used.

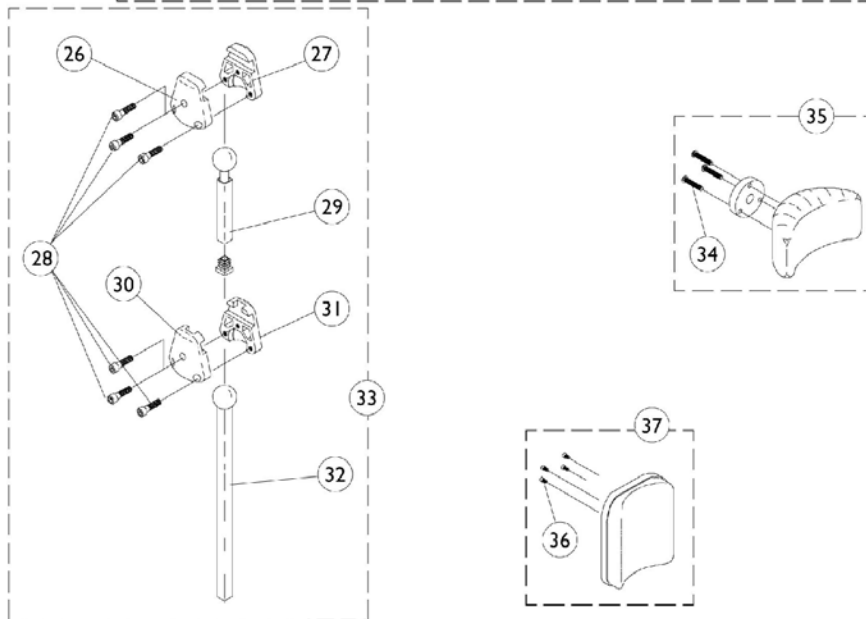
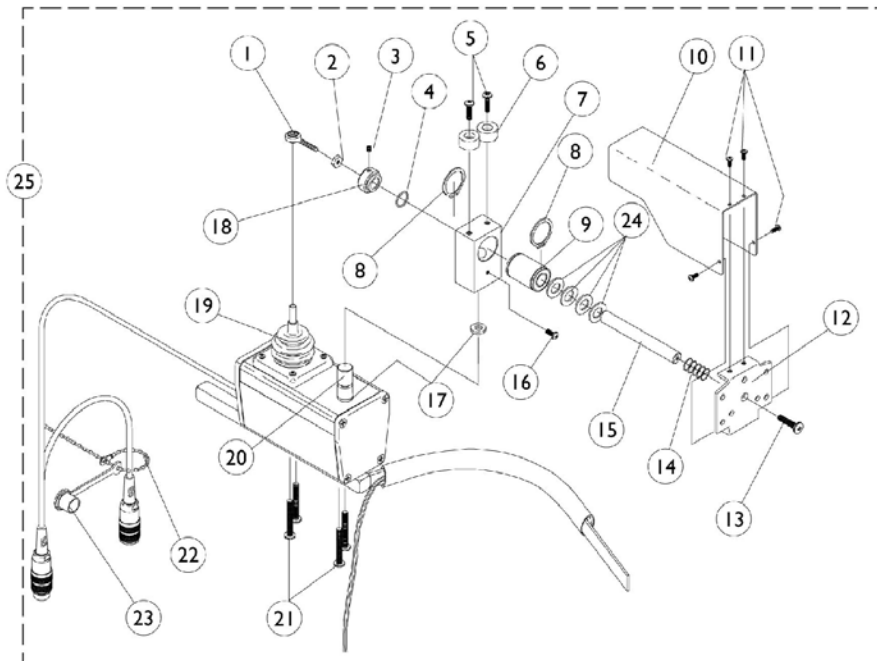
Substitute (item 4) with 2 each of the Phillips Pan Head Screws (item 5) when an offset joystick tube is currently on the chair. Additional joystick mounting hardware must be ordered when a 1556 Heavy Duty, TCPD Touch Pad or MPJ joystick is used.

Item Number	Note	Part Number	Description	Quantity Per	
				Package	Assembly
1	G	1140896	Quad Link with Adjustable Joystick Tray (QLA) and Instruction Sheet - Right	1	1
1	G	1140897	Quad Link with Adjustable Joystick Tray (QLA) and Instruction Sheet - Left	1	1
2	A	1140425	Kit, Quad Link Latch Hardware	1	1
3	B	1140424	Kit, Quad Link Screw Fastener Hardware	1	1
4	C,C1	1139416	Kit, ASBA/ADJASBA Quad Link Mounting Hardware	1	1
5			Screw, Phillips Pan Head w/ Patch (10-32 x 3/4")	1	2
6			Screw, Phillips Pan Head (#10-32 x 1-1/8")	1	2
7			Cable Tie (11-1/2" Long)	1	1
8			Spacer, Joystick Tube	1	1
9			Tube, Joystick 1/2" Offset	1	1
10			Plug Button, Black (7/8")	1	1
5		1105414	Screw, Phillips Pan Head w/ Patch (10-32 x 3/4")	1	2
11	I	1139422	Clamp, Height Adjustable Joystick Tube (ARM250)	1	1
12	D	1139925-NLA	Kit, 1556 Heavy Duty Joystick To Quad Link Mounting Hardware	1	1
13			Screw, Phillips Pan Head (#10-32 x 1/2")	1	2
14			Plate, 1556 HD Joystick Quad Link	1	1
15	E	1139683	Kit, TCPD Touch Pad To Quad Link Mounting Hardware	1	1
16			Plate, TCPD Touch Pad Quad Link	1	1
17			Screw, Phillips Pan Head (#4-40 x 3/8")	1	4
18	F	1139682	Kit, MPJ Joystick To Quad Link Mounting Hardware	1	1
19			T-Nut (#10-32)	1	2
	H	1134844	Instruction Sheet, Quad Link	1	1

NOTE: A - Latch Kit includes 4 ea. Button Head Cap Screws (10-32 x 3/8"), 2 ea. Latch Spring Assembly, 4 ea. Phillips Flat C'Sunk Head Screws, 2 ea. Spring Catch Plates, 2 ea. Socket Head Set Screws (10-32 x 3/8")
 B - Screw Fastener Kit includes 4 ea. Socket Head Shoulder Screws (3/8 x 3/8"), 2 ea. Socket Head Cap Screws (1/4-20 x 3/8"), 2 ea. Socket Head Set Screws (1/4-20 x 1/2"), 4 ea. Socket Head Set Screws (10-32 x 1/8")
 C - Includes items 5-10. The Quad Link Mounting Hardware accommodates MK5 DPJ and MPJ joysticks.
 C1 - When ordering the Quad Link for the first time, Additional hardware is required for 1556 Heavy Duty, TCPD Touch Pad joysticks and (MPJ joysticks if the T-nuts are missing). See pictorial for reference.
 D - Includes items 13 and 14
 E - Includes items 16 and 17
 F - Includes 2 ea. of item 19
 G - The 4-Way Switch Mounting Plate has changed and may be required when converting a Quad Link assembled to a mounting plate over to a Quad Link introduced after 10/30/05
 H - Not Shown
 I - Individual components are non-saleable

R.I.M. Head Control Assembly (1500)

NOTE: Must be used with a MK5 Display. See MK5 Display page



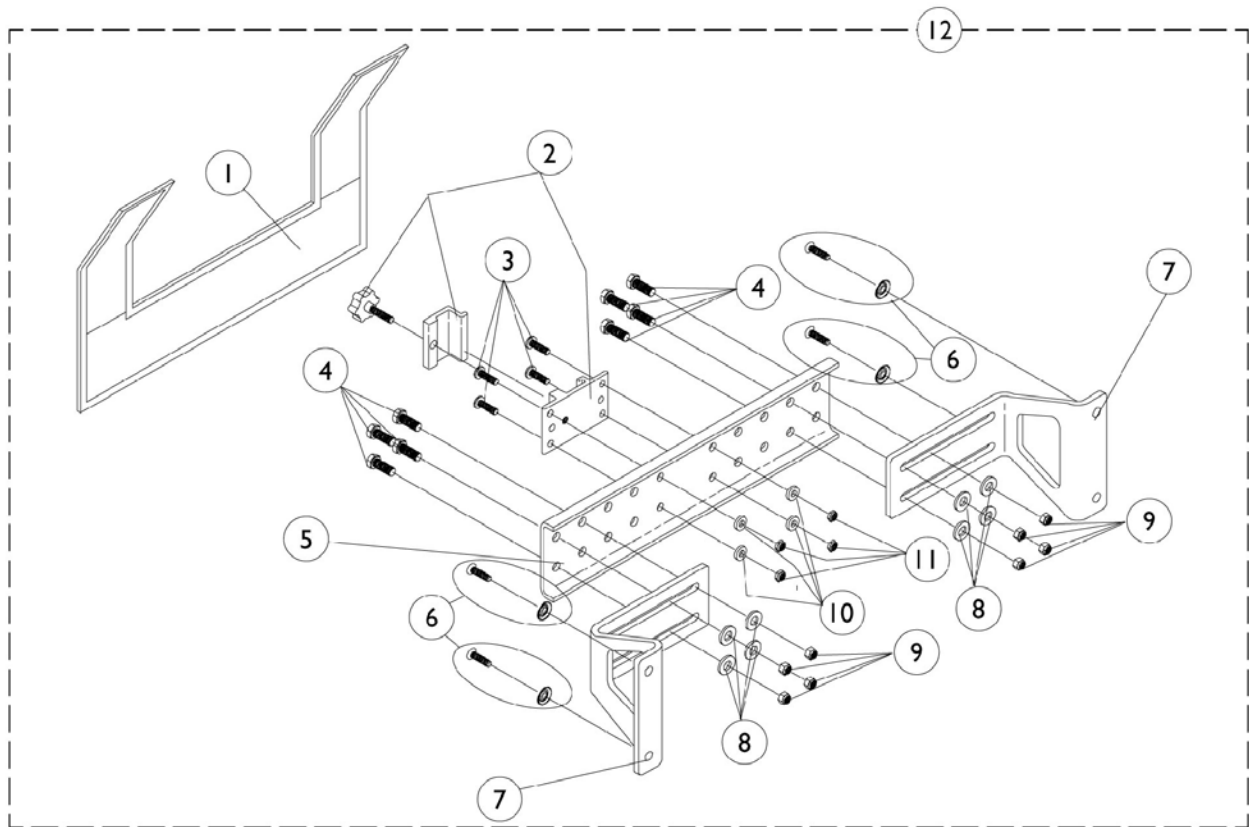
R.I.M. Head Control Assembly (1500)

NOTE: Must be used with a MK5 Display. See MK5 Display page

Item Number	Note	Part Number	Description	Quantity Per	
				Package	Assembly
1		1001625	Tie Rod End	1	1
2		48095X000	Locknut (#10-32)	1	1
3		1025275	Set Screw with Nylock (#8-32 x 1/4")	1	1
4		2001139	O-Ring (1/2" I.D.)	1	1
5		1028529	Screw, Phillips Pan Head (#8-32 x 3/8")	1	2
6		1055002	Washer, Nylon	1	2
7		1056206	Block, Pivot	1	1
8		1054939	Snap Ring	1	2
9		1018113	Linear Bearing	1	1
10		1055014	Shield, Push Rod	1	1
11		7930318	Screw, Phillips Pan Head (#4-40 x 1/2")	25	4
12		1055031	Bracket, Headrest Mounting	1	1
13		40127X002	Screw, Phillips Oval Head (#10-32 x 3/4")	1	1
14		1055145	Spring, Compression	1	1
15		1055016	Push Rod	1	1
16		1026728	Screw, Phillips Pan Head (#6-32 x 1/4")	1	1
17		1010398	Washer, Nylon (1/4 x 1/2 x 1/16")	1	2
18		1025236	Collar, Shoulder	1	1
19		50000X364	Joystick, Boot	1	1
20		1055017	Rod Pivot	1	1
21		11008X014	Screw, Phillips Round Head (#10-32 x 1")	1	1
22		1038256	Wire Tie	1	1
23		1037373	Cover, Splash	1	1
24		1003766	Washer, Plain (1/2 x 1 x 1/8")	1	4
25	A	1056210	Joystick, Remote Head	1	1
26		1055023	Clamp, Horizontal Pivot	1	1
27		1055024	Clamp, Threaded, Horizontal Pivot	1	1
28		1055144	Screw, Socket Head (M6 x 25)	1	6
29		1055028	Slide Tube, Square, -Short	1	1
30		1055025	Clamp, Vertical Pivot	1	1
31		1055026	Clamp, Threaded, Vertical Pivot	1	1
32		1055027	Slide Tube, Square, -Long	1	1
33	B	1056213	Hardware, Adjustment	1	1
34		1005383	Screw, Socket Button Head (#10-32 x 1")	1	3
35		1056211	Headrest with Hardware, -Small (Otto Bock)	1	1
36		1005310	Screw, Socket Head (#10-32 x 3/8")	1	4
37		1056212	Headrest with Hardware, - Large (La Bac)	1	1

NOTE: A - Includes items 1-24
B - Includes items 26-32

R.I.M. Head Control Mounting Hardware (1500)

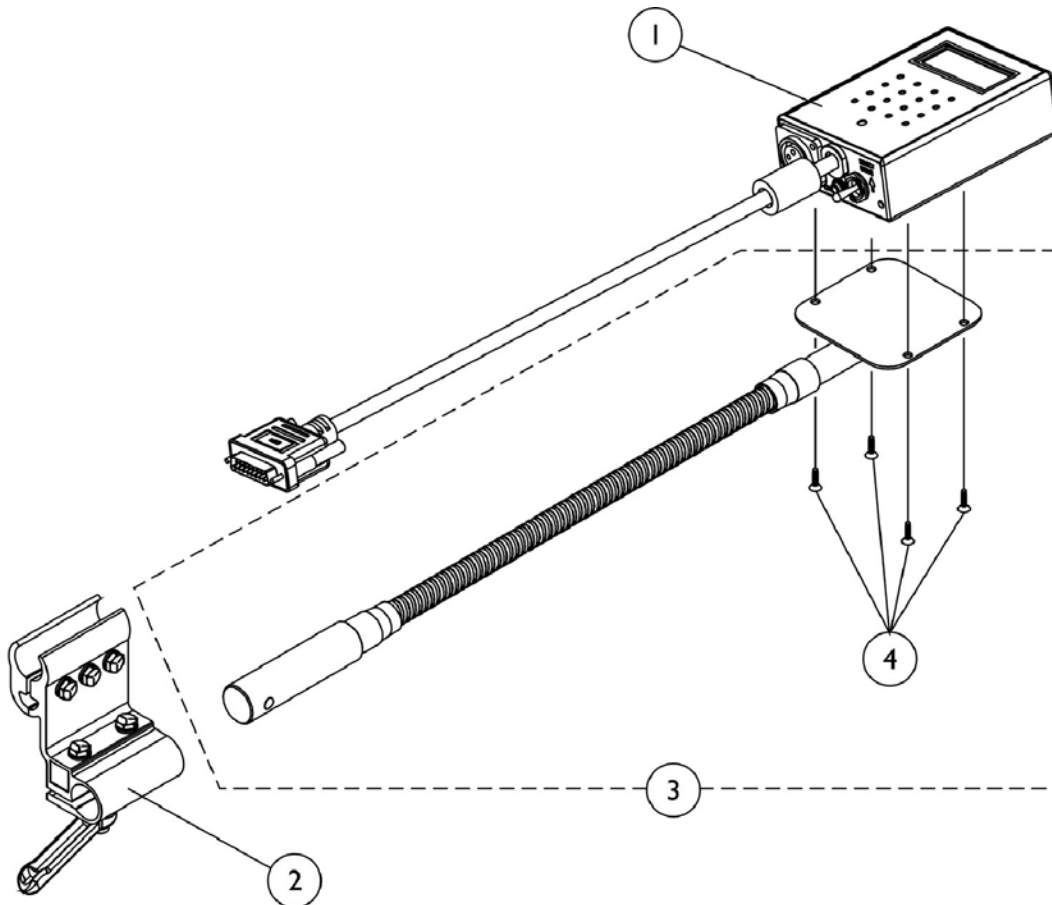


R.I.M. Head Control Mounting Hardware (1500)

Item Number	Note	Part Number	Description	Quantity Per	
				Package	Assembly
1	B	1055149	Nylon Cover	1	1
1	C	1055151	Nylon Cover	1	1
2		1055148	Clamp with Knob, Two-Piece	1	1
3		1003645	Screw, Socket Button Head (#10-32 x 3/4")	1	4
4		7930326	Screw, Hex Head (1/4-20 x 3/4")	25	8
5	B	1054931	Bracket, Attaching - 12-18" Wide	1	1
5	C	1054933	Bracket, Attaching - 19-24" Wide	1	1
6		1031095	Screws with Washers (#10-16 x 7/8")	4	1
6		1076284	Screw w/ washer (#10 x 7/8")	1	4
7		1054929	Bracket, Wing	1	2
8		1026907	Washer (1/4 x 1/2 x 1/16")	1	8
9		7930333	Locknut (1/4-20)	25	8
10		1026034	Washer, Nylon (3/16 x 7/16 x 1/8")	1	4
11		7930332	Locknut, High Profile (#10-32)	25	4
12	B,A	1056347	Rim Control Mounting Hardware (RIMHW) - 12-18" Wide	1	1
12	C,A	1056348	Rim Control Mounting Hardware (RIMHW) - 19-24" Wide	1	1

NOTE: A - Includes items 1-11
 B - For 12-18" wide chairs
 C - For 19-24" wide chairs

MK5 Display

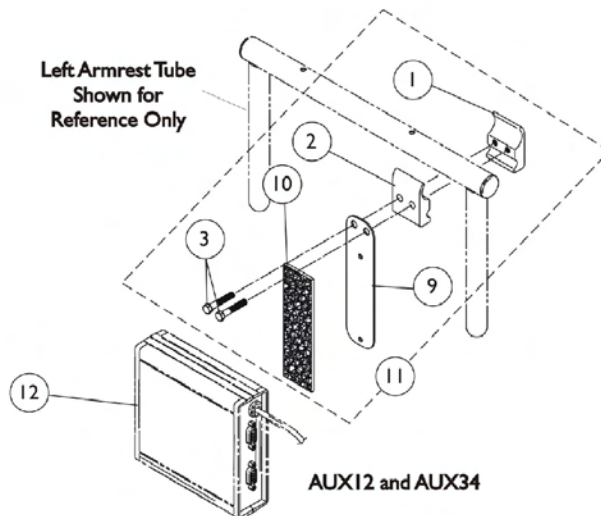
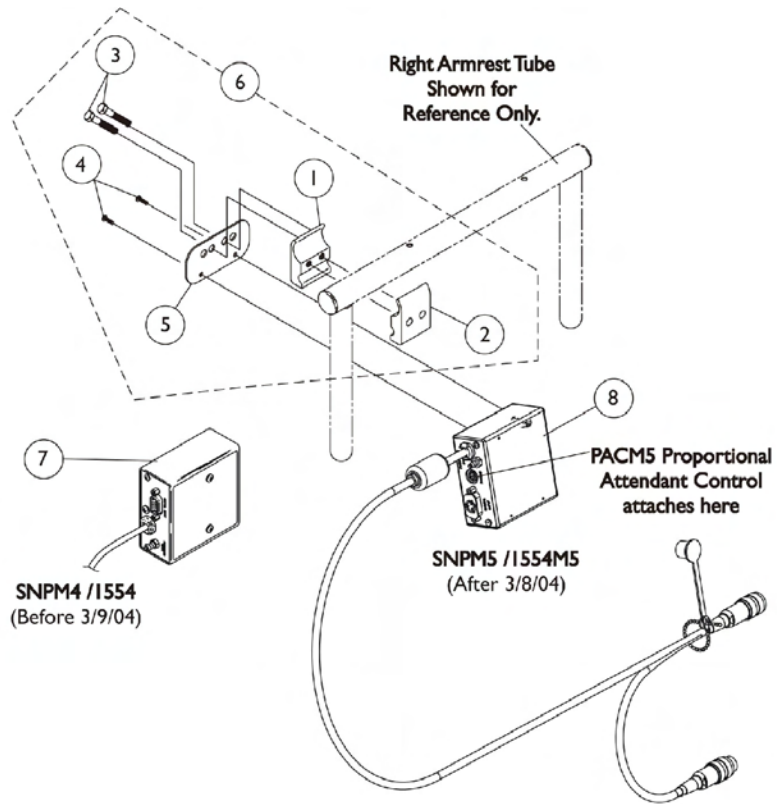


Item Number	Note	Part Number	Description	Quantity Per	
				Package	Assembly
1		1118759	Display, MK5 with Switches	1	1
2	B	1093071	Clamp, Fixed Height Joystick Tube	1	1
3	B,A	1139422	Clamp, Height Adjustable Joystick Tube (ARM250)	1	1
4		1049594	Flex Tube with Screws	1	1
5		1052041	Screw, Phillips Pan Head (#4-40 x 3/8")	1	4

NOTE: A - Introduced 10/31/05 as option (ARM250) and can be used to replace a Fixed Height Joystick Clamp in the field.
 B - Individual components are non-saleable

Sip-N-Puff/Digital Interface and AUX12 and AUX34 1554M4/1554M5

Sip-N-Puff/Digital Interface (1554M5) is required when using Proportional Attendant Control (PACM5)



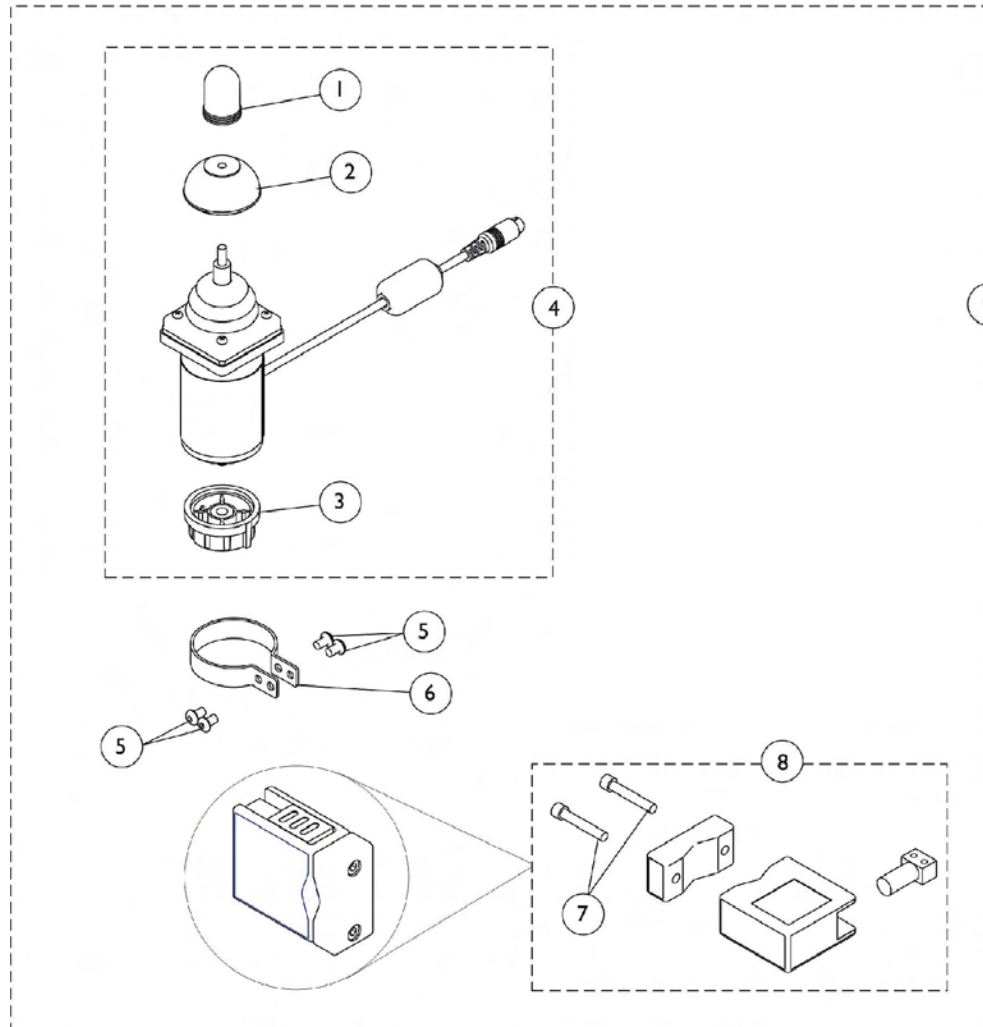
Sip-N-Puff/Digital Interface and AUX12 and AUX34 1554M4/1554M5

Sip-N-Puff/Digital Interface (1554M5) is required when using Proportional Attendant Control (PACM5)

Item Number	Note	Part Number	Description	Quantity Per	
				Package	Assembly
6	A,E	1049593	Kit, SNP/DI, MK5 SAC, 4WSB, S4WSB, GTAM, AUX12M6, AUX34M6 Mtg. Hdwr.	1	1
1			Half Clamp, Threaded Holes	1	1
2			Half Clamp, Non-Threaded Holes	1	1
3			Screw, Hex Head (1/4-20 x 1-1/8")	1	2
4			Screw, Phillips Pan Head (#4-40 x 3/8")	1	2
5			Plate, Mounting	1	1
7	B	1038635	Sip-N-Puff with Digital Interface	1	1
8	C	1122229	Sip-N-Puff with Digital Interface, MK5	1	1
11	D	1049592	Kit, COM12/AUX12 and COM34/AUX34 Mounting Hardware	1	1
1			Half Clamp, Threaded Holes	1	1
2			Half Clamp, Non-Threaded Holes	1	1
3			Screw, Hex Head (1/4-20 x 1-1/8")	1	2
9			Fastener, Dual Lock Hook and Loop Adhesive (2" W x 12" L)	1	1
10			Mounting Plate, COM12/AUX12 and COM34/AUX34	1	1
12		1038639	Communication Module, COM12/AUX12	1	1
12		1086241	Communication Module, COM34/AUX34	1	1
NOTE: A - Includes items 1-5 B - Before 3/9/04 - MKIV Electronics C - After 3/8/04 - MK5 Electronics D - Includes items 1-3, & 9-10. Item 9 that is packaged with the kit will only be a 4" long "loop" fastener E - As of 5/22/07 the Mounting Plate holes and the orientation of the Hardware was revised to attach the electronics closer to the chair. The Mounting Hardware Kit is backward compatible.					

Proportional Attendant Control Joystick PACM5

Sip-N-Puff/Digital Interface (1554M5) is required when using Proportional Attendant Control Joystick (PACM5)



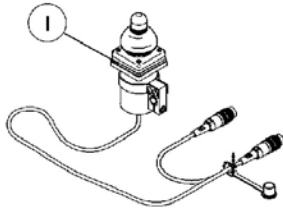
Proportional Attendant Control Joystick PACM5

Sip-N-Puff/Digital Interface (1554M5) is required when using Proportional Attendant Control Joystick (PACM5)

Item Number	Note	Part Number	Description	Quantity Per	
				Package	Assembly
1		1040217	Knob, Joystick	1	1
2		1040218	Skirt, Joystick	1	1
3		1114232	Knob, Control	1	1
4	A	1123230	Joystick, Proportional Attendant Control -MK5 (PACM5)	1	1
5		1021460	Screw, Socket Button Head (#10-32 x 5/16")	1	4
6		1025048	Clamp	1	1
7		0140406	Screw, Socket Head Cap (5/16-18 x 1-1/2)	1	2
8		1123244	Bracket Assembly	1	1
9	B	1123274	Proportional Attendant Control Joystick w/ Bracket & Clamp -MK5 (PACM5)	1	1

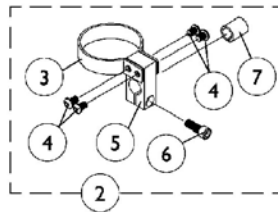
NOTE: A - Includes Joystick plus items 1-3
B - Includes items 1-8

Joystick Options

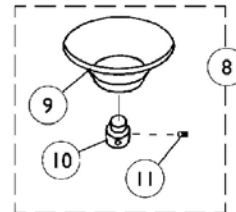


**ON CHAIR: 1812M4/1558
DUAL/COMPACT JOYSTICK
W/ MTG. HARDWARE**

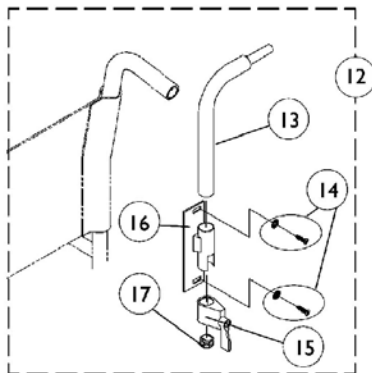
Used with MK5 display or MPJ joystick



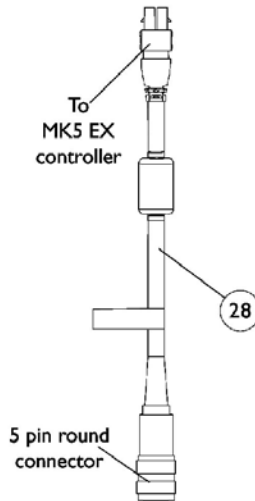
**DUAL/COMPACT JOYSTICK
MOUNTING HARDWARE**



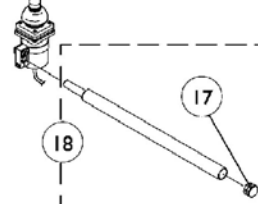
**ON CHAIR: 1826
CHIN CUP ASSEMBLY**



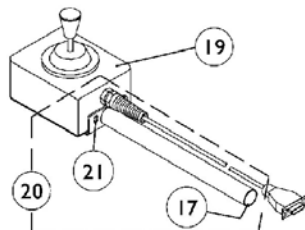
**ON CHAIR: 1673
REAR CANE MOUNT**



**MK5 EX CONTROLLER
OPTION CABLE**

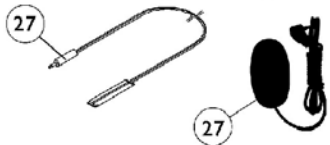


**DUAL/COMPACT
JOYSTICK
ARM MOUNT**



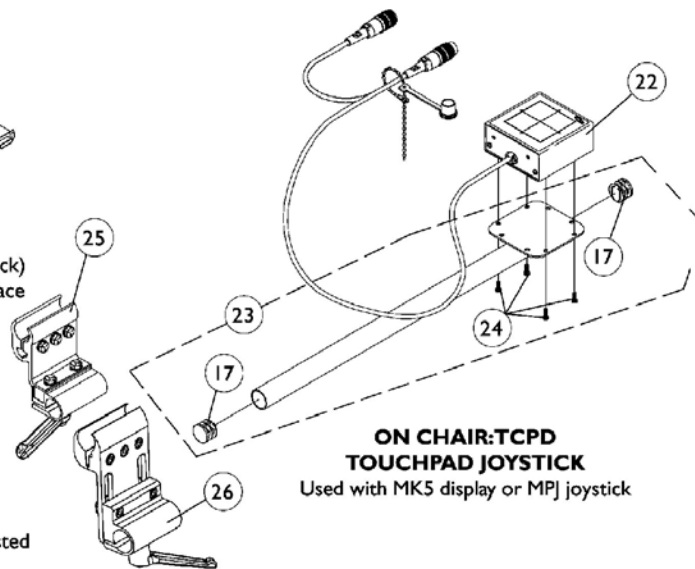
**ON CHAIR: 1556M
HEAVY DUTY
JOYSTICK**

Used with (MK5 display or MPJ joystick)
with SNPM4 Sip-N-Puff/Digital interface



**ON CHAIR: 1817
Reset Switch**

May be required for joystick options listed



**ON CHAIR: TCPD
TOUCHPAD JOYSTICK**

Used with MK5 display or MPJ joystick

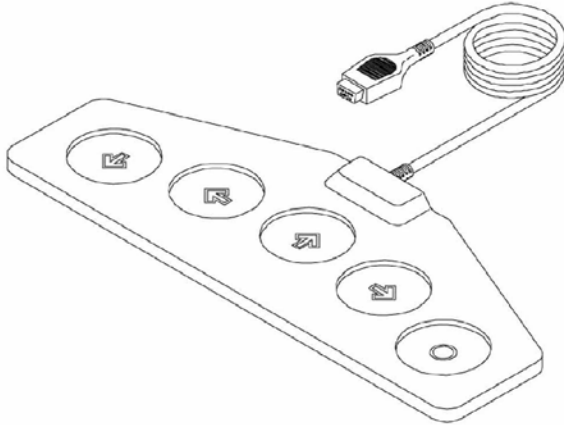
Joystick Options

Item Number	Note	Part Number	Description	Quantity Per	
				Package	Assembly
1		1038638	Joystick, MKIV Dual/Compact	1	1
2	A	1108012	Hardware, Dual/Compact Joystick Clamp Mounting	1	1
3		1025048	Clamp	1	1
4		1021460	Screw, Socket Button Head (#10-32 x 5/16")	1	4
5		1025045	Clamp, Mounting	1	1
6		1027089	Screw, Socket Head Cap (#10-24 x 1/2")	1	1
7		1026273	Spacer, Split (3/8" I.D.)	1	1
8	B	1020392	Chin Cup Assembly (1826)	1	1
9		1017545	Chin Cup	1	1
10		1017612	Screw, Adaptor	1	1
11		90032X000	Screw, Socket Set (#8-32 x 1/4")	1	1
12	C	1044917	Hardware, Rear Cane Mount (1673/RCM)	1	1
13		1044918	Joystick Tube	1	1
14		1026298	Screws with Washers (#10 x 7/8")	1	2
15		1027274	Lock, Adjustment (Black)	1	1
16		1025245	Bracket, Upright -Right	1	1
17		1027095	Plug Button, Black (7/8")	1	1
18	D	1052309	Arm Mount Tube with Plug Button	1	1
19		1041544-NLA	Joystick, Heavy Duty	1	1
20	E	1052719	Kit, Straight Joystick Tube with Hardware	1	1
21		1016401	Screw, Phillips Round Head (#10-32 x 3/8")	1	3
22		1091353	Touchpad, Joystick Assembly	1	1
23	F	1092604	Kit, Straight Joystick Tube with Hardware	1	1
24		1052041	Screw, Phillips Pan Head (#4-40 x 3/8")	1	4
25	G	1093071	Clamp, Fixed Height Joystick Tube	1	1
26	K	1139422	Clamp, Height Adjustable Joystick Tube (ARM250)	1	1
27	I	1020818	Switch, Red Flex Ribbon (Tape) Reset	1	1
27	J	1123276	Kit, Switch, Black Egg Reset, with Hook/Loop Adhesive Back Fastener & Attaching Screws (EGSBLK)	1	1
28	H	1118231	Cable, MK5 EX Controller Option	1	1

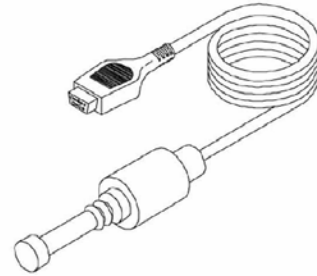
NOTE: A - Includes items 3-7
 B - Includes items 9-11
 C - Includes items 13-17
 D - Includes item 17
 E - Includes items 17 and 21
 F - Includes items 17 and 24
 G - Clamp assembly is used for all joystick tubes listed. Individual components are non-saleable
 H - The 5 pin connector attaches to MKIV options
 I - Before 5/24/04
 J - After 5/23/04 the Egg Reset Switch replaced the Red Flex Ribbon (Tape) Reset Switch
 K - Introduced 10/31/05 as option (ARM250) and can be used to replace a Fixed Height Joystick Clamp in the field. Individual components are non-saleable

Tash and Therafin Accessories

NOTE: Used with (MK5 display or MPJ joystick) with SNPM4 Sip-N-Puff/Digital interface



P5018-Wafer Board



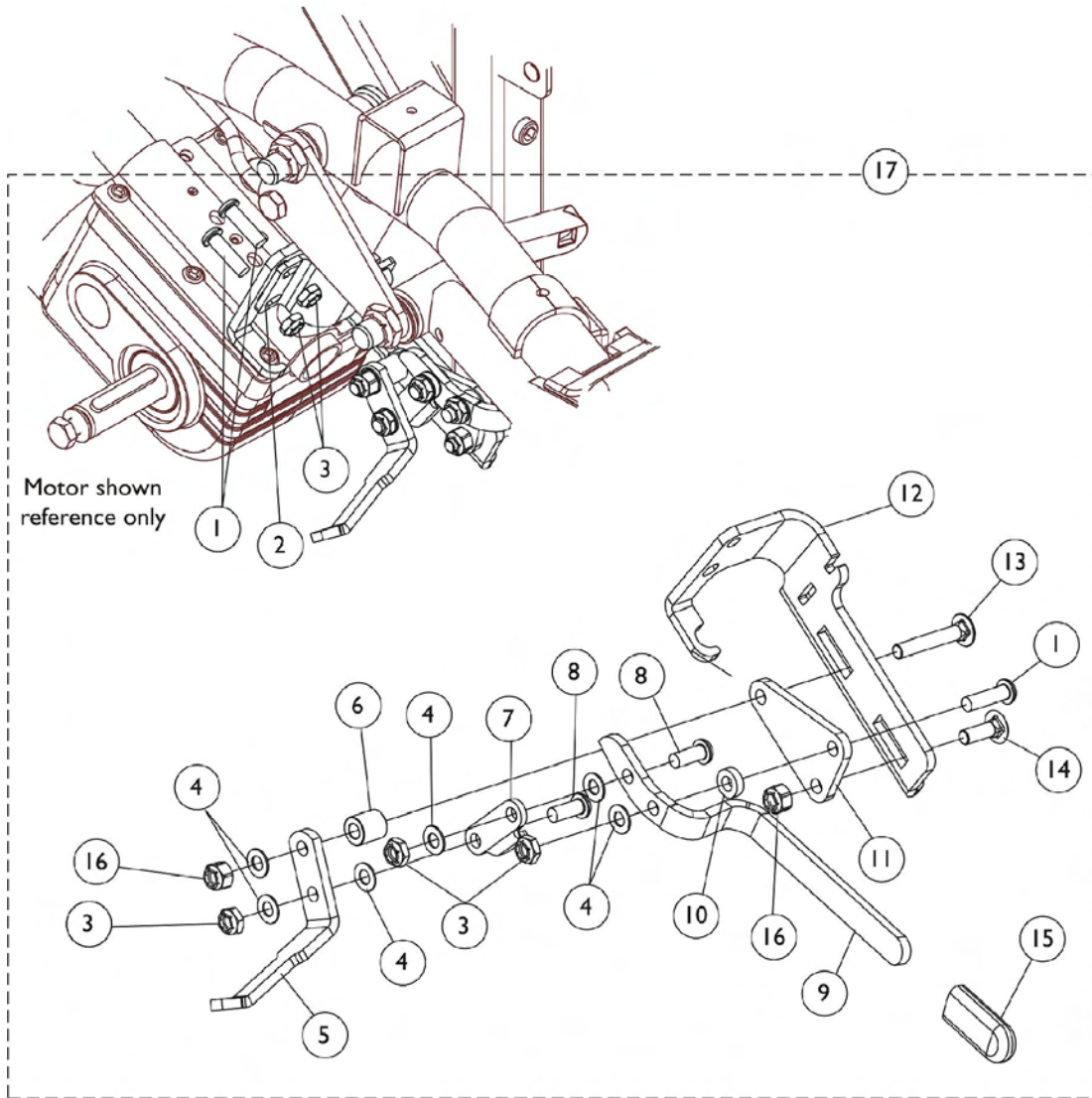
P5020-Mini Joystick with Push

Item Number	Note	Part Number	Description	Quantity Per	
				Package	Assembly
	A	1142362	Bib Assembly (PKG32669)	1	1
	A	1140824	Sip-N-Puff, 16" Fixed (PKG32666) Includes: 3 Air Tube Straws, 2 Saliva Traps, Tubing, Pivot Shaft/Flexible Metal Gooseneck Assembly, and Extruded Figure "8" Clamp to fit 7/8" Wheelchair Frame Tubing. Extruded Back Cane Adapter Clamp also included.	1	1
	B	P5018	Wafer Board (5018)	1	1
	B	P5020	Mini Joystick with Push (5020)	1	1

NOTE: A - Not Shown
B - See pictorial for additional reference to part number listed

For more information on Tash and Therafin products, please contact one of our Rehab Specialists.

Wheel Lock Assembly

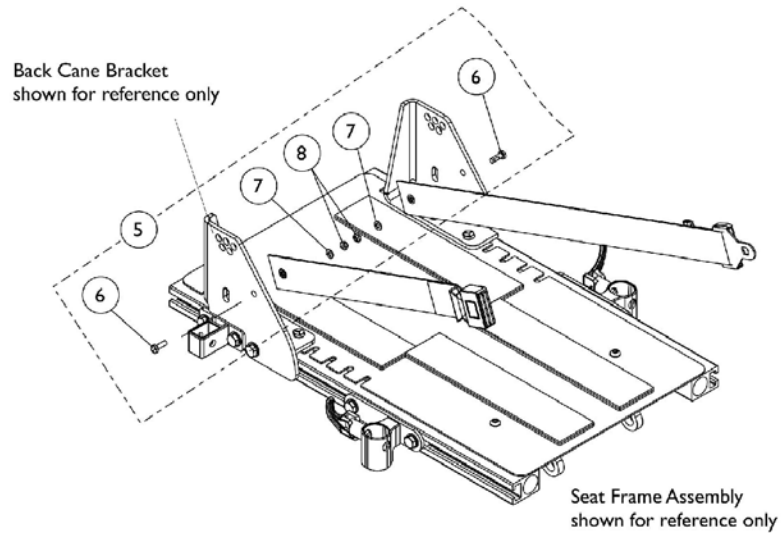
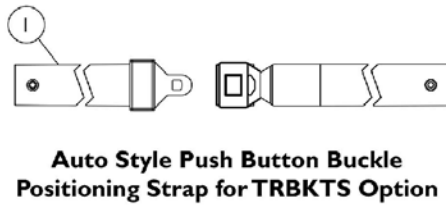
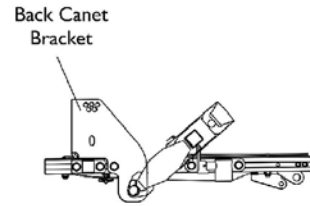
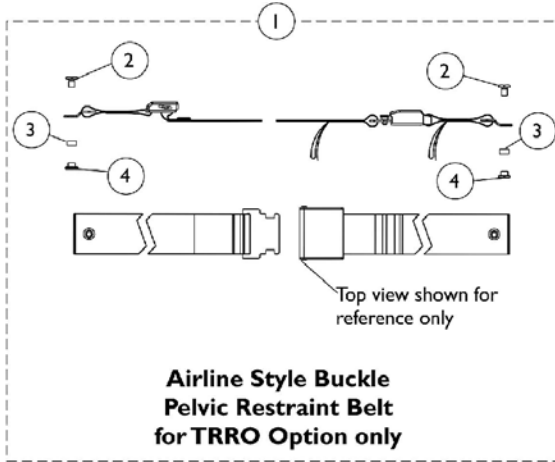


Wheel Lock Assembly

Item Number	Note	Part Number	Description	Quantity Per	
				Package	Assembly
1		1055306	Screw, Button Head Cap (1/4-28 x 7/8")	1	3
2		1122956	Plate, Wheel Lock Clamp -Right	1	1
2		1122957	Plate, Wheel Lock Clamp -Left	1	1
3		1025765	Locknut (1/4-28)	1	5
4		1026103	Washer, Nylon (1/4 x 1/2 x 1/32")	1	6
5		1122953	Shoe, Wheel Lock	1	1
6		1020363	Spacer (1/4 x 1/2 x 1/2")	1	1
7		1018733	Link	1	1
8		1055304	Screw, Socket Button Head (1/4-28 x 5/8")	1	2
9		1122966	Handle, Wheel Lock -Right	1	1
9		1122967	Handle, Wheel Lock -Left	1	1
10		1028411	Spacer (1/4 x 1/2 x 5/32")	1	1
11		1122819	Plate, Wheel Lock Mounting	1	1
12		1122954	Bracket, Wheel Lock Mounting -Right	1	1
12		1122955	Bracket, Wheel Lock Mounting -Left	1	1
13		1030950	Bolt, Carriage (1/4-20 x 1-1/2")	1	1
14		1123392	Screw, Round Head Square Neck (1/4-20 x 3/4")	1	1
15		1006490	Tip, Plastic, Black	1	1
16		1025736	Locknut (1/4-20)	1	2
17	A	1121974	Wheel Lock Assembly w/ Attaching Hardware -Right	1	1
17	A	1121975	Wheel Lock Assembly w/ Attaching Hardware -Left	1	1

NOTE: A - Includes items 1-16

Miscellaneous Accessories



Miscellaneous Accessories

Item Number	Note	Part Number	Description	Quantity Per	
				Package	Assembly
1	A	1122818	Positioning Strap, Seat Airline Style Buckle with Hardware (37" Long Eyelet-to-Eyelet)	1	1
1	B	1036527	Positioning Strap, Seat/Chest w/ Auto Style Buckle (Eyelet to Eyelet Length 33")	1	1
2		1118569	Pin, Threaded	1	2
3		1118568	Bushing, Nylon (5/16 x 7/16 x 5/32")	1	2
4		1118579	Nut, Hex Jam (3/8-16)	1	4
5	C	1124385	Kit, Seat Positioning Strap Mounting Hardware (both LT & RT sides)	1	1
6			Screw, Hex Head (1/4-20 x 3/4")	1	2
7			Washer (1/4 x 23/32 x 1/16")	1	2
8			Locknut (1/4-20)	1	2
	D	40176X010	Tire Pump	1	1

NOTE: A - Pelvic Restraint Belt for TRRO option. Includes items 2-4
 B - Positioning Strap for TRBKTS option.
 C - Hardware for auto style positioning strap. Includes items 6-8
 D - Not Shown

Power Wheelchair Tool Kit

1



Multimeter with Leads



Grounding Wire



1" Test Leads



Protractor/Angle Locator



Invacare Pen Light



Invacare Tape Measure



Invacare Phillips/Flat Head Screwdriver



MKIV Programmer



Virtual Service Charger Cable

Power Wheelchair Tool Kit

Item Number	Note	Part Number	Description	Quantity Per	
				Package	Assembly
1		1125222	Kit, Power Wheelchair Tool Includes: 1 ea. Multimeter with Leads 1 ea. Locator, Protractor/Angle Magnetic Base 1 ea. Instructions, MKIV Programmer 1 ea. Wire, Grounding with Hand Strap and Clip 1 ea. Leads, 1" Test 1 ea. Light, Pen with Invacare Logo 1 ea. Tape Measure, Compact with Invacare Logo 1 ea. Screwdriver, Pen-Size Phillips/Flat Head 1 ea. Cable, Virtual Service Charger/Modem	1	1

Invacare Corporation

www.invacare.com



Yes, you can.™

One Invacare Way
Elyria, Oh USA
44036-2125
800-333-6900

Technical Support
800-832-4707
Customer Service
800-333-6900

Customer Service
800-333-6900

©2008 Invacare Corporation. Elyria, Ohio.
All rights reserved. Trademarks are
identified by the symbols™ and®. All
trademarks are owned by or licensed to
Invacare Corporation unless otherwise
noted. (Revised 5/27/08)

Form No. 03-033